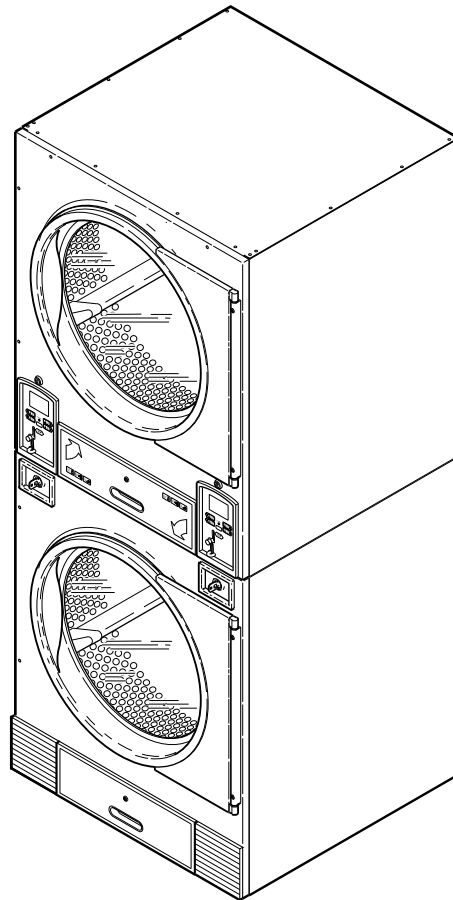


# Drying Tumblers

Stack 30 Pound (300 Liter) Capacity

Refer to Page 3 for Model Numbers



T464P\_70185001



# Table of Contents

Title	Page
Parts Ordering Information .....	2
Serial Plate Location.....	2
Model Identification.....	3
Electronic Coin Drop Components .....	4
Coin Drop Assemblies .....	6
Card Reader Control Components .....	8
Electromechanical Coin Drop Components.....	10
Coin Meters and Components.....	12
Manual Dual Timer Control.....	14
NetMaster Card Reader .....	16
NetMaster Coin Drop.....	18
NetMaster Network Interface Board .....	20
NetMaster Network Board .....	22
Upper Front Panel Components.....	24
Lower Front Panel Components.....	26
Emergency Stop Button for CE Models.....	28
Upper Cylinder Support Components.....	30
Lower Cylinder Support Components.....	32
Lint Drawer Components.....	34
Door and Hinge Components .....	36
Cylinder Components .....	38
Drive Motor Components.....	40
Drive Motors .....	42
Blower and Exhaust Components .....	44
Blower Motors.....	46
Airflow Switch Components.....	48
Gas Burner Housing .....	50
Gas Burner Components.....	52
Gas Valve and Piping .....	54
Gas Valve Assembly .....	56
Burner Orifices.....	58
Electric Heater Components.....	60
Steam Heater Components .....	62
Rear Control Box - Gas Non-CE Models (Drawing 1 of 2).....	64
Rear Control Box - Gas Non-CE Models (Drawing 2 of 2).....	66
Rear Control Box - Steam Non-CE Models .....	68
Rear Control Box - Electric Non-CE Models.....	70
Rear Control Box - Gas CE Models.....	72
Rear Control Box - Steam CE Models.....	74
Rear Control Box - Electric CE Models Through Serial No. 112006347 .....	76
Rear Control Box - Electric CE Models Starting Serial No. 112006348 .....	78
Parts Index .....	81

© Copyright 2023, Alliance Laundry Systems LLC

All rights reserved. No part of the contents of this book may be reproduced or transmitted in any form or by any means without the expressed written consent of the publisher.

# Parts Ordering Information

If literature or replacement parts are required, contact the source from whom the machine was purchased or contact Alliance Laundry Systems at (920) 748-3950 for the name and address of the nearest authorized parts distributor.

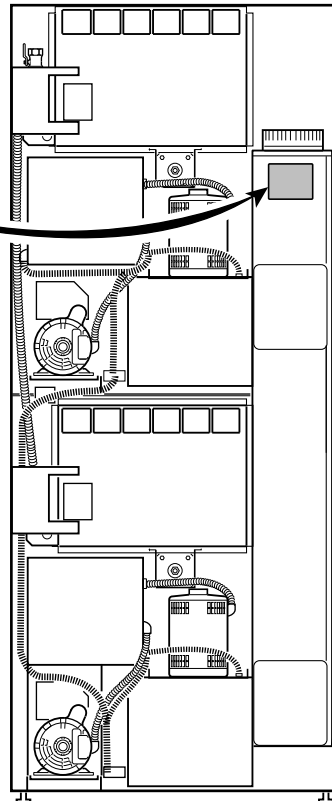
For technical assistance, call the number listed below:

(920) 748-3121 Ripon, Wisconsin

# Serial Plate Location

When calling or writing about your product, be sure to mention model and serial numbers. Model and serial numbers are located on serial plate(s) as shown.

MODEL NO:		ANS 72152 CLOTHES DRYER VOL-1	
SERIAL NO:		TESTED FOR NATURAL & LIQUID PETROLEUM GASES	
V-/	HERTZ/	PHASE	
AMPS,	WIRES + GROUND	CGA 72	
TOTAL kW,	MOTOR kW		
REQ'D CIRCUIT BREAKER:	AMPS		
FAN OUTPUT:			
@MAX	*WC STATIC PRESSURE		
EQUIPPED FOR:		GAS@ *WC MANIFOLD PRESS.	
MIN SUPPLY PRESSURE:	*WC.	MAX SUPPLY PRESSURE:	*WC.
INPUT:	BTU/hr @	BTU/cu.ft.	
MADE IN U.S.A./FABRIQUE AU ETATS UNIS/FABRICADO EN LOS ESTADOS UNIDOS 70551001			



TMB1961P\_70185001

## Model Identification

Information in this manual is applicable to these tumbler models:

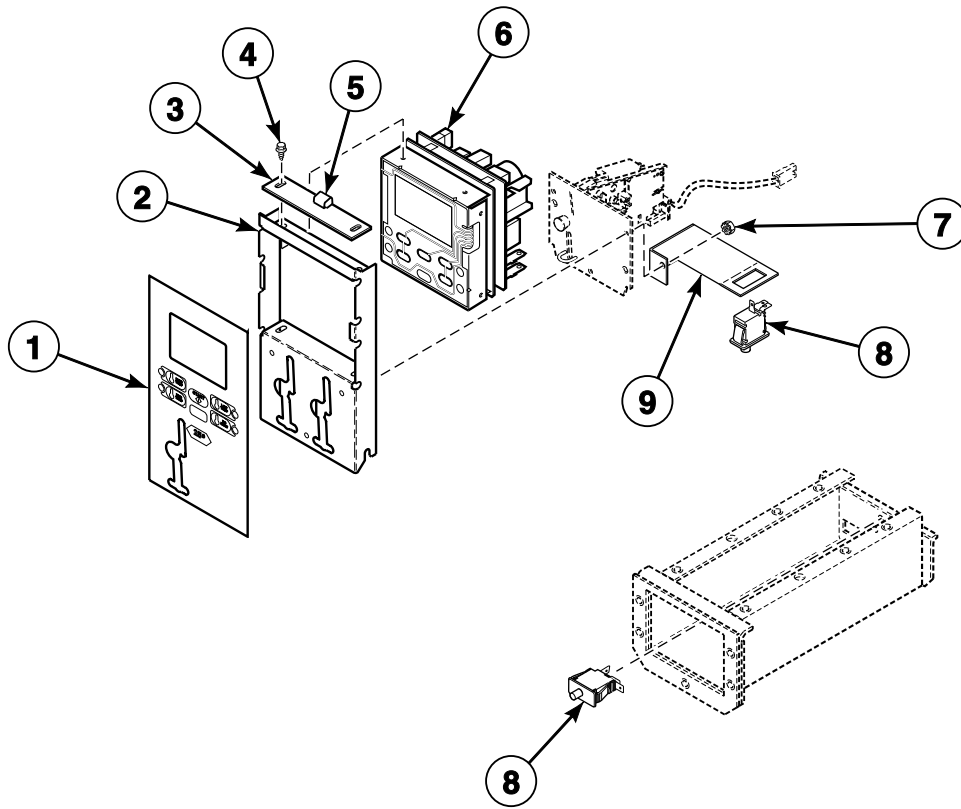
DC0300DEL	JA0300DRG	LT0300DRG	SA0300DRG
DC0300DFG	JC0300DEL	NT0300DRG	SC0300DEL
DC0300DRG	JC0300DFG	PA0300DRG	SC0300DFG
DC0300DSL	JC0300DRG	PC0300DEL	SC0300DRG
DT0300DEL	JC0300DSH	PC0300DFG	SC0300DSH
DT0300DFG	JC0300DSL	PC0300DRG	SC0300DSL
DT0300DRG	JT0300DEL	PC0300DSL	ST0300DEL
DT0300DSH	JT0300DFG	PT0300DEL	ST0300DFG
DT0300DSL	JT0300DRG	PT0300DFG	ST0300DRG
	JT0300DSH	PT0300DRG	ST0300DSH
	JT0300DSL	PT0300DSH	ST0300DSL
		PT0300DSL	

### Control Suffixes (10th and 11th characters):

CD - rotary coin drop	MT - manual timer	ZC - NetMaster coin - network ready
EC - electronic coin	NC - NetMaster coin	ZR - NetMaster card - network ready
EP - electronic card reader	NR - NetMaster card	ZX - NetMaster prep for coin - network ready
EX - electronic coin ready	NX - NetMaster prep for coin	ZY - NetMaster prep for card - network ready
EY - electronic card ready	NY - NetMaster prep for card	

# Electronic Coin Drop Components

Models with EC Control Suffix



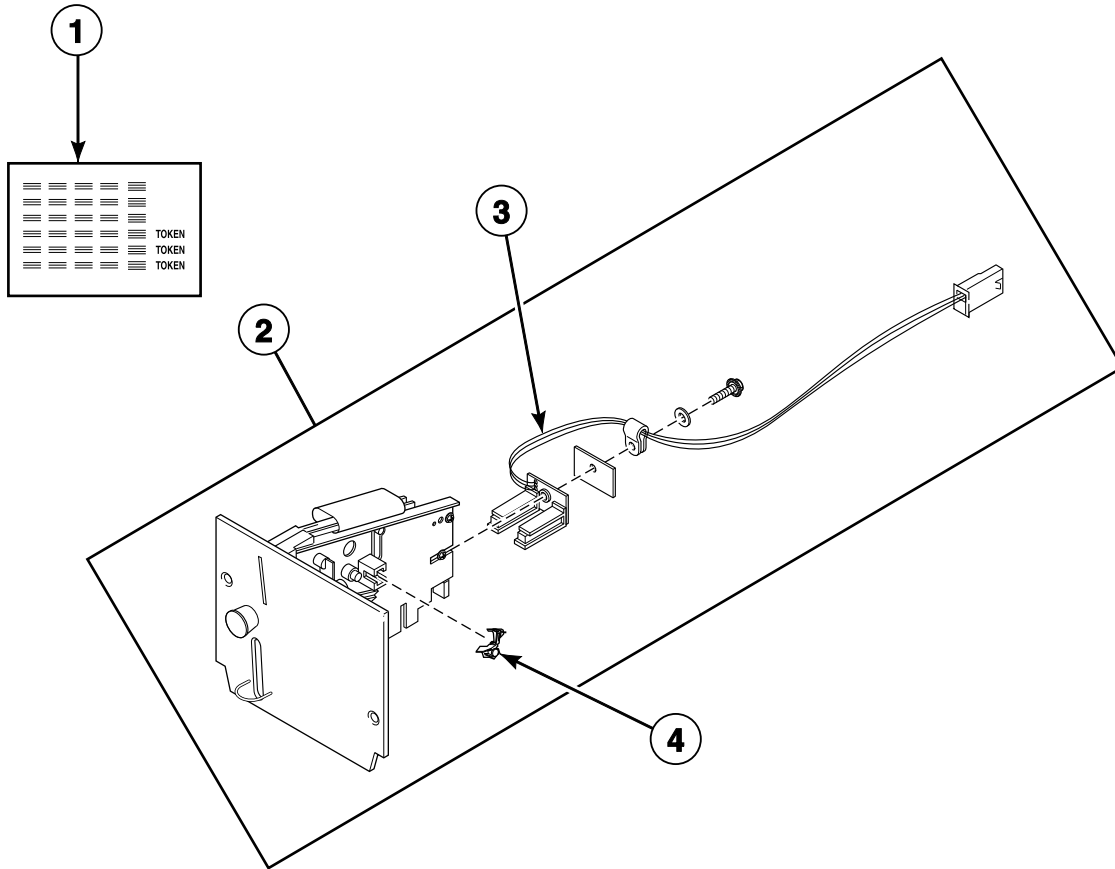
TMB2069P\_70185001

# Electronic Coin Drop Components

REF	PART NO.	DESCRIPTION	COMMENTS
	431611	Multiplier Harness Assembly	EDC; Dual drop
	CK090	Coin Drop Kit	Converts single U.S. \$.25 drops to dual drops
	38571	Multiplier Assembly	Dual drop
	M4691P3	Electronic Control Kit	ST models
	M4692P3	Electronic Control Kit	SA and SC models
	M4721P3	Electronic Control Kit	JT models
	M4722P3	Electronic Control Kit	JA and JC models
	70236501P	Control Wire Harness Assembly	
	70084203	Jumper Calibration Assembly	
<b>1</b>	70113601	Overlay	Text; ST models; Single
	70113901	Overlay	Text with infrared; JT models; Single
	70135501	Overlay	Icon; SC models; Single
	70135701	Overlay	Infrared; Icon; JC models; Single
	70136101	Overlay	Text non-infrared; JT models; Single
	70129301	Overlay	Upper; P models; Single
	70129401	Overlay	Lower; P models; Single
	70129501	Overlay	Upper; P models; Single
	70129601	Overlay	Upper; P models; Dual
	N/A	Overlay	Lower; P models; Single
	70129801	Overlay	Lower; P models; Dual
	70217001P	Dual Overlay Kit	Text; SC and ST models
	70217101P	Dual Overlay Kit	Icon; SC and ST models
	70217201P	Dual Overlay Kit	Text; JC and JT models
	70217301P	Dual Overlay Kit	Icon; JC and JT models; Dual
<b>2</b>	70175901	Control Door Assembly	JC, JT, SC and ST models; Includes studs
<b>3</b>	N/A	Latch Mounting Bracket	
<b>4</b>	D501524	Screw	
<b>5</b>	431318	Control Door Latch	
<b>6</b>	M414049P	Control Kit	Includes tape; 24 Volt; Model and serial number of machine required - part no longer available for units built prior to 1/1/2004 per field bulletin FB15-164
<b>7</b>	70054	Nut	
<b>8</b>	70413301	Pushbutton Switch	
<b>9</b>	70292601	Audit Switch Bracket	

**N/A = Part no longer available**

# Coin Drop Assemblies



TMB2904P\_70185001



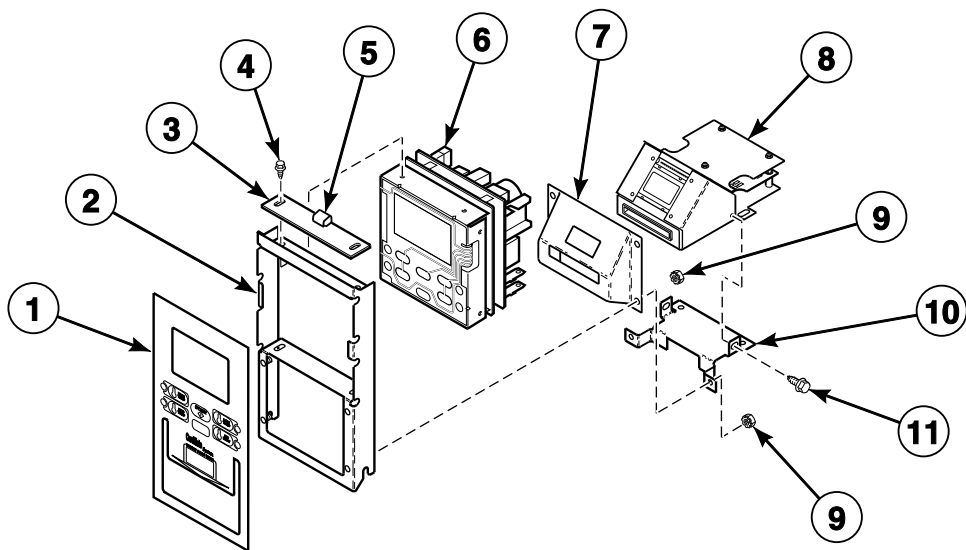
## Coin Drop Assemblies

REF	PART NO.	DESCRIPTION	COMMENTS
1	38725	Coin Identification Paper	
2	38462P	Coin Drop Assembly	Token 118-1
	38463	Coin Drop Assembly	Token 118-5
	38464P	Coin Drop Assembly	Canada; .25
	70441602	Coin Drop Assembly	Canada; .25 and 1.00
	38467	Coin Drop Assembly	Australia; .20 and 1.00
	38472	Coin Drop Assembly	England; 20 pence and 1 pound
	70441601P	Coin Drop	USA; \$.25 MZP
	N/A	Coin Drop Assembly	Denmark; 1 and 5 DKK
	38519	Coin Drop Assembly	Japan; 100 and 500 yen
	38521	Coin Drop Assembly	Korea; 100 and 500 won
	N/A	Coin Drop Assembly	New Zealand; .20 and 1.00
	38963P	Coin Drop	Token 118-16 not available; Replacement for 38963P Coin Drop only
	N/A	Coin Drop Assembly	Taiwan; 5 NT and 10 NT; Dual drop
	39157	Coin Drop Assembly	Israel; Shekel
	38475	Coin Drop Assembly	Japan; 100 yen
	CK077	Coin Drop Kit	Taiwan; 10 NT
	210195	Coin Drop Assembly	Euro; .20 and 1.00
	210196	Coin Drop Assembly	Euro; .50 and 1.00
	70256402P	Coin Drop	USA; \$.25 and \$1.00; Dual drop
	N/A	Coin Drop Assembly	5 and 10 krone
3	200674P	Opto Coupler	
4	201595P	Wire Guard	

**N/A = Part no longer available**

# Card Reader Control Components

Models with EP Control Suffix



T429P\_70185001

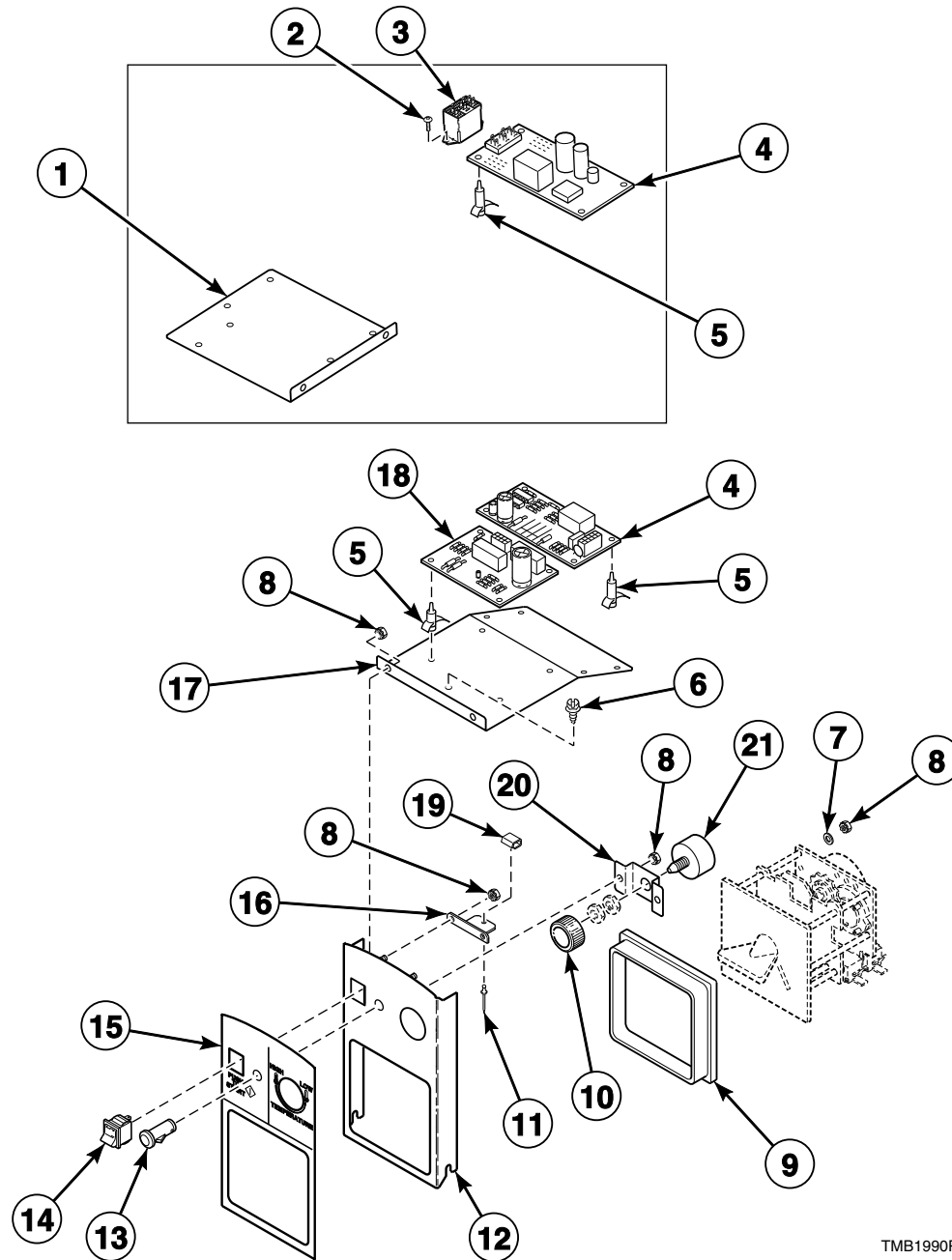
## Card Reader Control Components

REF	PART NO.	DESCRIPTION	COMMENTS
	70211801	Card Reader Harness Assembly	Non-networked
	70206601	Card Reader Network Harness Assembly	
	70236501P	Control Wire Harness Assembly	
<b>1</b>	70136201	Overlay	ST models
	70115701	Overlay	JT models
<b>2</b>	70175903	Control Door Assembly	ST models; Includes studs
	70175904	Control Door Assembly	JT models; Includes studs
<b>3</b>	N/A	Latch Mounting Bracket	
<b>4</b>	D501524	Screw	
<b>5</b>	431318	Control Door Latch	
<b>6</b>	M414049P	Control Kit	
<b>7</b>	N/A	Card Reader Mounting Bracket	
<b>8</b>	M4877P3	Card Reader Kit	
<b>9</b>	70054	Nut	
<b>10</b>	70119001	Chassis Mounting Bracket	
<b>11</b>	430497	Screw	

**N/A = Part no longer available**

# Electromechanical Coin Drop Components

Models with CD Control Suffix



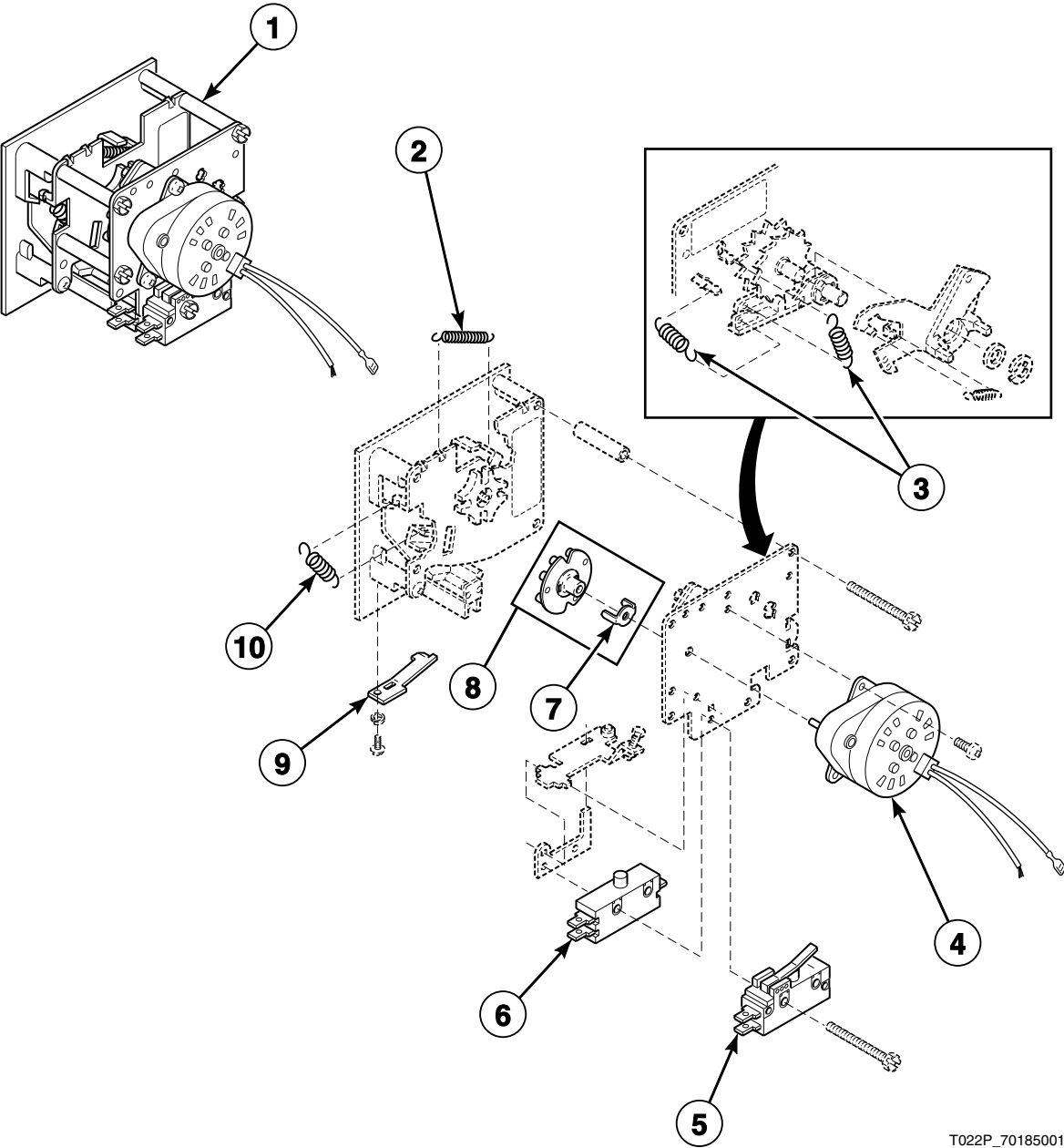
TMB1990P\_70185001

# Electromechanical Coin Drop Components

REF	PART NO.	DESCRIPTION	COMMENTS
	70236401P	Control Panel Harness Assembly	
1	70118901	Mounting Bracket	Models through Serial No. 9806013546
2	M402797	Screw	
3	M412534	Relay	
4	431347P	Thermostat Module	
5	34896	Circuit Board Support	4 required for models through Serial No. 9806013546; 8 required for models starting Serial No. 9806013547
6	M402917	Screw	Ground
7	M405535	Washer	
8	70054	Nut	
9	70061701	Rotary Drop Shroud	
10	70080601	Temperature Knob	S models
	N/A	Temperature Knob	J models
11	M400003	Pop Rivet	2 required
12	70175907	Control Door Assembly	S models; Includes studs
	70175908	Control Door Assembly	J models; Includes studs
13	70082201	Indicator Light	
14	70108501	Start Switch	
15	70115501	Overlay	JT models
	70136801	Overlay	JC models; Icon
	70128201	Overlay	S models
16	70119801	Latch Mounting Bracket	
17	70179001	Mounting Bracket	Models starting Serial No. 9806013547
18	70175301P	Timer Control Assembly	Models starting Serial No. 9806013547
19	431318	Control Door Latch	
20	70108001	Potentiometer Mounting Bracket	
21	70475001P	Temperature Kit	Potentiometer; Includes nuts

**N/A = Part no longer available**

# Coin Meters and Components



T022P\_70185001

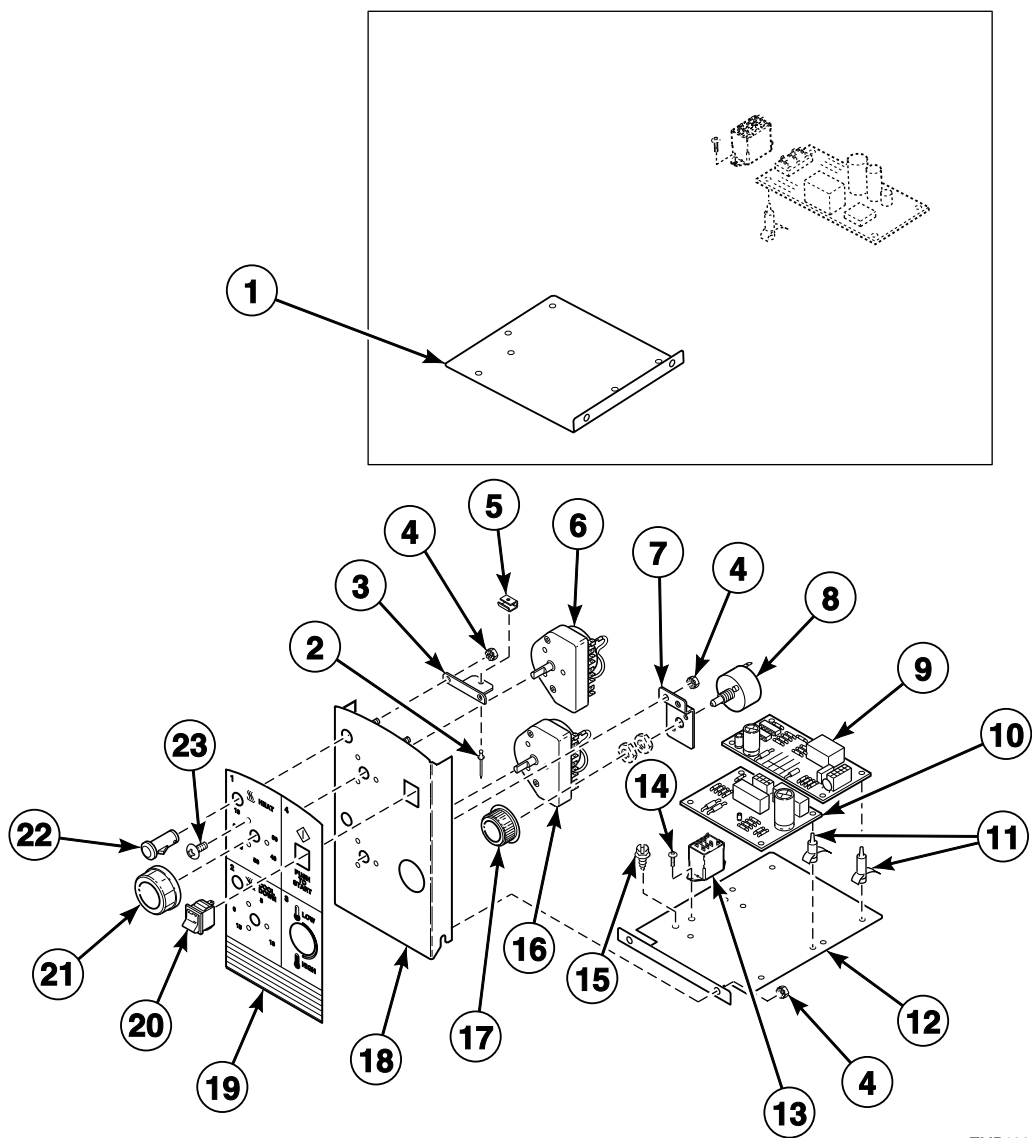
## Coin Meters and Components

REF	PART NO.	DESCRIPTION	COMMENTS
	M4723P3	Coin Meter Control Kit	J models
1	N/A	Coin Meter	Australia; .20/5 minutes
	70112501P	Coin Meter	Australia; 1.00/15 minutes
	70112701P	Coin Meter	US; \$.25/10 minutes
	70137301P	Coin Meter	Token; Standard 118-1; 60 Hertz; 10 minutes
	70137401P	Coin Meter	Token; Standard 118-5; 60 Hertz; 10 minutes
	70151301	Coin Meter	South Africa; .20/10 minutes
	N/A	Coin Meter	England; 20 pence/7.5 minutes
	N/A	Coin Meter	Denmark; 1 krone/5 minutes
	M412546	Coin Meter	Token; Standard 118-1; 50 Hertz; 10 minutes
	N/A	Coin Meter	Token; Standard 118-5/10; 50 Hertz; 10 minutes
	70262401	Coin Meter	Euro; .20/5 minutes
	N/A	Coin Meter	Euro; .50/10 minutes
	2	M405138B	Return Spring
3	M402455	Coil Spring	
4	70218201	Timer Motor	60 Hertz; 1 revolution/hour
	70218301	Timer Motor	50 Hertz; 2 revolution/hour
5	M400947	Switch	Heat; Switch "B"
6	N/A	Single Throw Switch	Run; Switch "A"
7	M400754	Coin Meter Drive	
8	M400732P	Timing Cam	10 pin; 6 minutes for 60 Hertz; 3 minutes for 50 Hertz
	M400733P	Timing Cam	12 pin; 5 minutes for 60 Hertz; 2.5 minutes for 50 Hertz
	M400734P	Timing Cam	2 pin; 30 minutes for 60 Hertz; 15 minutes for 50 Hertz
	M400735P	Timing Cam	3 pin; 20 minutes for 60 Hertz; 10 minutes for 50 Hertz
	M400736P	Timing Cam	4 pin; 15 minutes for 60 Hertz; 7.5 minutes for 50 Hertz
	M400737P	Timing Cam	5 pin; 12 minutes for 60 Hertz; 6 minutes for 50 Hertz
	M400738P	Timing Cam	6 pin; 10 minutes for 60 Hertz; 5 minutes for 50 Hertz
	M400739P	Timing Cam	7 pin; 8.5 minutes for 60 Hertz; 4.25 minutes for 50 Hertz
	M400740P	Timing Cam	8 pin; 7.5 minutes for 60 Hertz; 3.75 minutes for 50 Hertz
	M400741P	Timing Cam	9 pin; 6.6 minutes for 60 Hertz; 3.3 minutes for 50 Hertz
9	M406297	Coin Retainer Spring	
10	M405138A	Coin Carrier Spring	

N/A = Part no longer available

# Manual Dual Timer Control

Models with MT Control Suffix



TMB1991P\_70185001



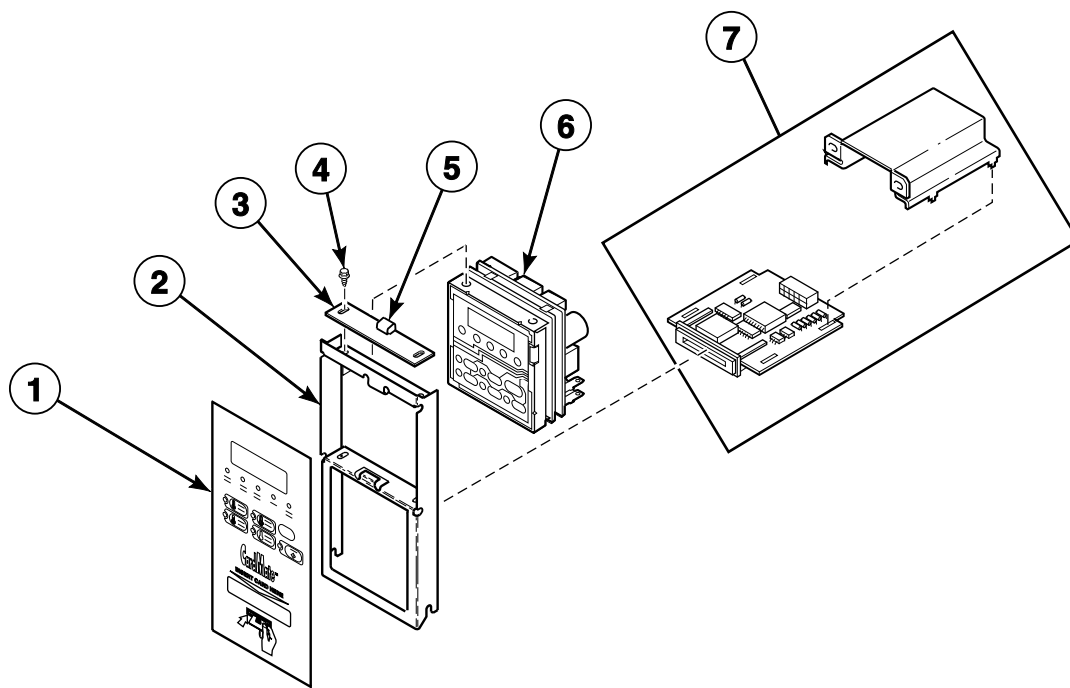
# Manual Dual Timer Control

REF	PART NO.	DESCRIPTION	COMMENTS
	M4694P3	Manual Timer Control Kit	SC and ST models
	M4724P3	Manual Timer Control Kit	JC and JT models
	70236301	Control Panel Harness Assembly	
<b>1</b>	70131301	Mounting Bracket	Models through Serial No. 9806013546
<b>2</b>	M400003	Pop Rivet	2 required
<b>3</b>	70119801	Latch Mounting Bracket	
<b>4</b>	70054	Nut	
<b>5</b>	431318	Control Door Latch	
<b>6</b>	N/A	Timer	Heat; 50 Hertz; 60 minute; 24 Volt
	70131701P	Timer	Heat; 60 Hertz; 60 minute; 24 Volt
<b>7</b>	70108001	Potentiometer Mounting Bracket	
<b>8</b>	70475001P	Temperature Kit	Potentiometer; Includes nuts
<b>9</b>	431347P	Thermostat Module	
<b>10</b>	70175301P	Timer Control Assembly	
<b>11</b>	34896	Circuit Board Support	4 required for models through Serial No. 9806013546; 8 required for models starting Serial No. 9806013547
<b>12</b>	70179101	Mounting Bracket	Models starting Serial No. 9806013547
<b>13</b>	M412534	Relay	2 required per control
<b>14</b>	M402797	Screw	
<b>15</b>	M402917	Screw	Ground
<b>16</b>	M412079P	Timer	Cooling; 50 Hertz; 15 minute; 24 Volt
	70131801P	Timer	Cooling; 60 Hertz; 15 minute; 24 Volt
<b>17</b>	N/A	Temperature Knob	JC and JT models
	70080601	Temperature Knob	SC and ST models
<b>18</b>	N/A	Control Door Assembly	SC and ST models; Includes studs
	70175906	Control Door Assembly	JC and JT models; Includes studs
<b>19</b>	70114401	Overlay	JT models
	70128101	Overlay	ST models
	70129901	Overlay	Upper; P models
	N/A	Overlay	Lower; P models
	N/A	Overlay	SC models; Icon
	70135601	Overlay	JC models; Icon
<b>20</b>	70108501	Start Switch	
<b>21</b>	70082101	Timer Knob	SC and ST models
	M410927	Knob	JC and JT models
<b>22</b>	70082201	Indicator Light	
<b>23</b>	M411052	Screw	

**N/A = Part no longer available**

# NetMaster Card Reader

Models with NR, NY, ZR and ZY Control Suffixes



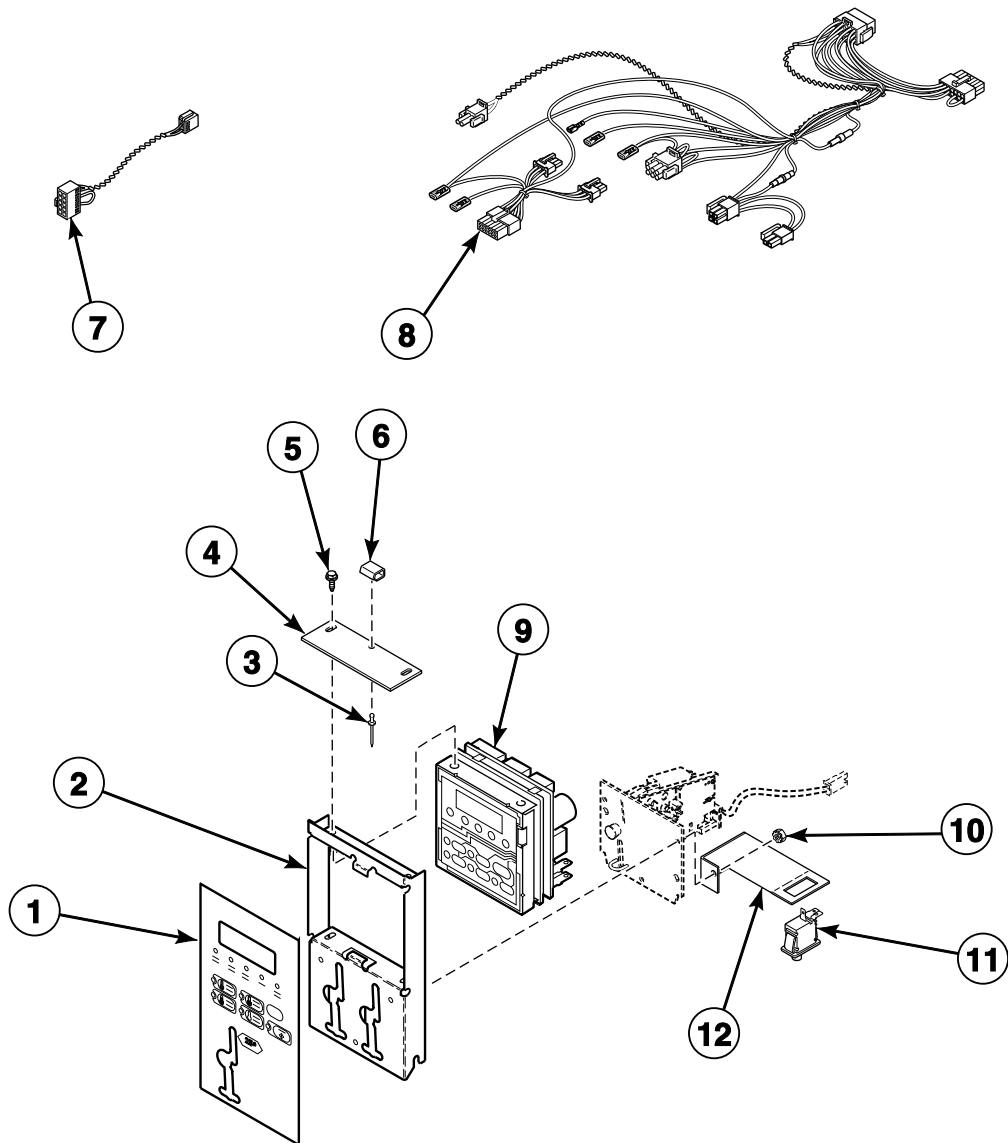
TMB368P\_70185001

# NetMaster Card Reader

REF	PART NO.	DESCRIPTION	COMMENTS
	70211801	Card Reader Harness Assembly	Non-networked
	70206601	Card Reader Network Harness Assembly	
	70204801	Main Harness Assembly	
	70211703P	Jumper Calibration Assembly	
	70206301P	Control Panel Harness Assembly	
	70235801	Control Panel Harness Assembly	JA, PA and SA models
	70324601	Jumper Calibration Wire	
<b>1</b>	70184201	Overlay	Card reader installed
	70235101	Overlay	Card reader ready
<b>2</b>	70175911	Control Door Assembly	
	70497401	Control Door and Studs Assembly	Card ready; ST models
	70498401	Control Door and Studs Assembly	Card ready; JT models
<b>3</b>	70184501	Latch Mounting Bracket	
<b>4</b>	D501524	Screw	
<b>5</b>	431318	Control Door Latch	
<b>6</b>	D505905P	Control Kit	
<b>7</b>	D510068P	Card Reader and Bracket Assembly	

# NetMaster Coin Drop

Models with NC, NX, ZC and ZX Control Suffixes



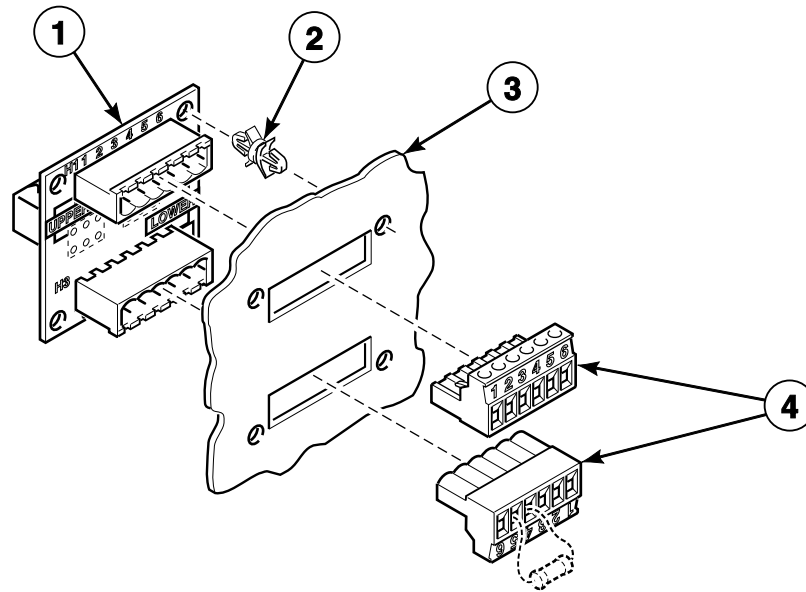
TMB2770P\_70185001

# NetMaster Coin Drop

REF	PART NO.	DESCRIPTION	COMMENTS
	70204801	Main Harness Assembly	
<b>1</b>	70184101	Overlay	ST models; Single drop
	70239401	Overlay	JT models; Single drop
	70239402	Overlay	JT models; Dual drop
	70184102	Overlay	ST models; Dual drop
<b>2</b>	70175909	Control Door Assembly	ST models
	70175910	Control Door Assembly	JT models
<b>3</b>	M400003	Pop Rivet	Attaches Control Door Latch to Control Door Assembly
<b>4</b>	70184501	Latch Mounting Bracket	
<b>5</b>	D501524	Screw	
<b>6</b>	431318	Control Door Latch	
<b>7</b>	70211703P	Jumper Calibration Assembly	
<b>8</b>	70206301P	Control Panel Harness Assembly	
	70235801	Control Panel Harness Assembly	JA, PA and SA models
<b>9</b>	D505905P	Control Kit	
<b>10</b>	70054	Nut	
<b>11</b>	70413301	Pushbutton Switch	
<b>12</b>	70183901	Audit Switch Bracket	

# NetMaster Network Interface Board

Models with ZC, ZR, ZX and ZY Control Suffixes



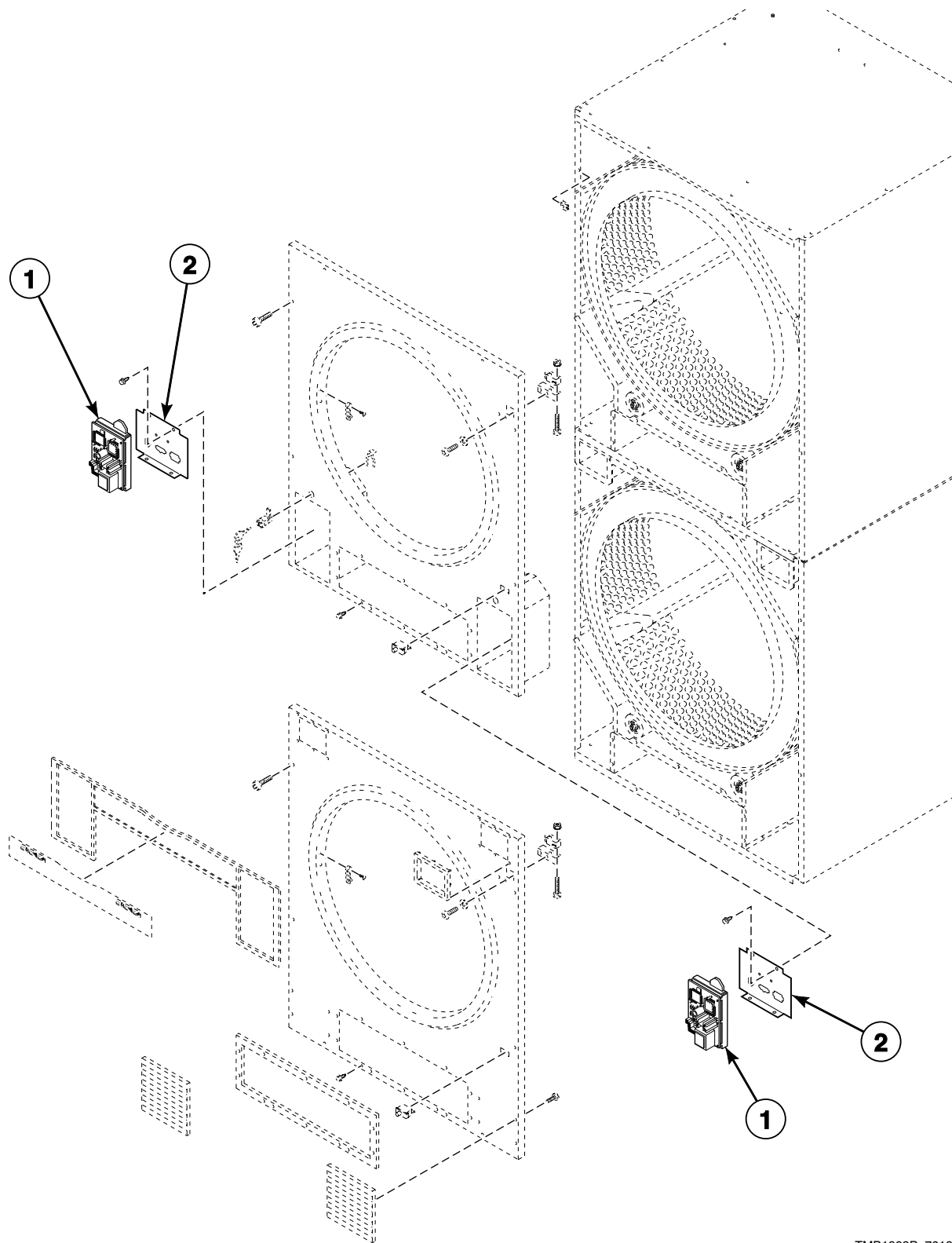
TMB1993P\_70185001

# NetMaster Network Interface Board

REF	PART NO.	DESCRIPTION	COMMENTS
	70211101	Communication Harness Assembly	
1	210097	Communication Board	
2	210098	PC Board Standoff	4 required
3	70205401	Communication Board Bracket	
4	210099	Communication Connector	

# NetMaster Network Board

Models with ZC, ZR, ZX and ZY Control Suffixes



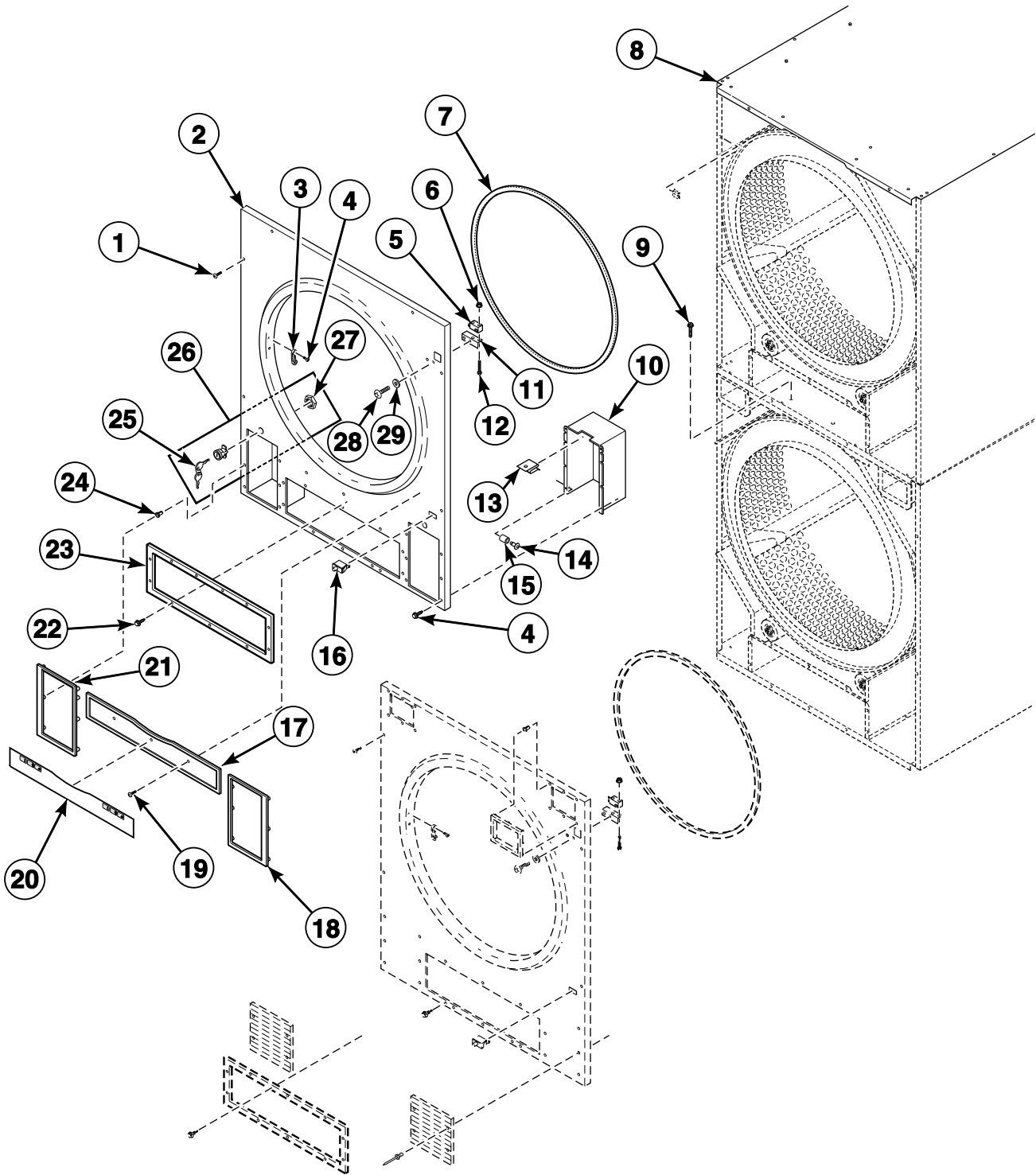
TMB1992P\_70185001



# NetMaster Network Board

REF	PART NO.	DESCRIPTION	COMMENTS
	800217	Network Wire Harness Assembly	
1	210016P	Network Board Assembly	
2	70203201	Control Housing Cover	

# Upper Front Panel Components



TMB2771P\_70185001

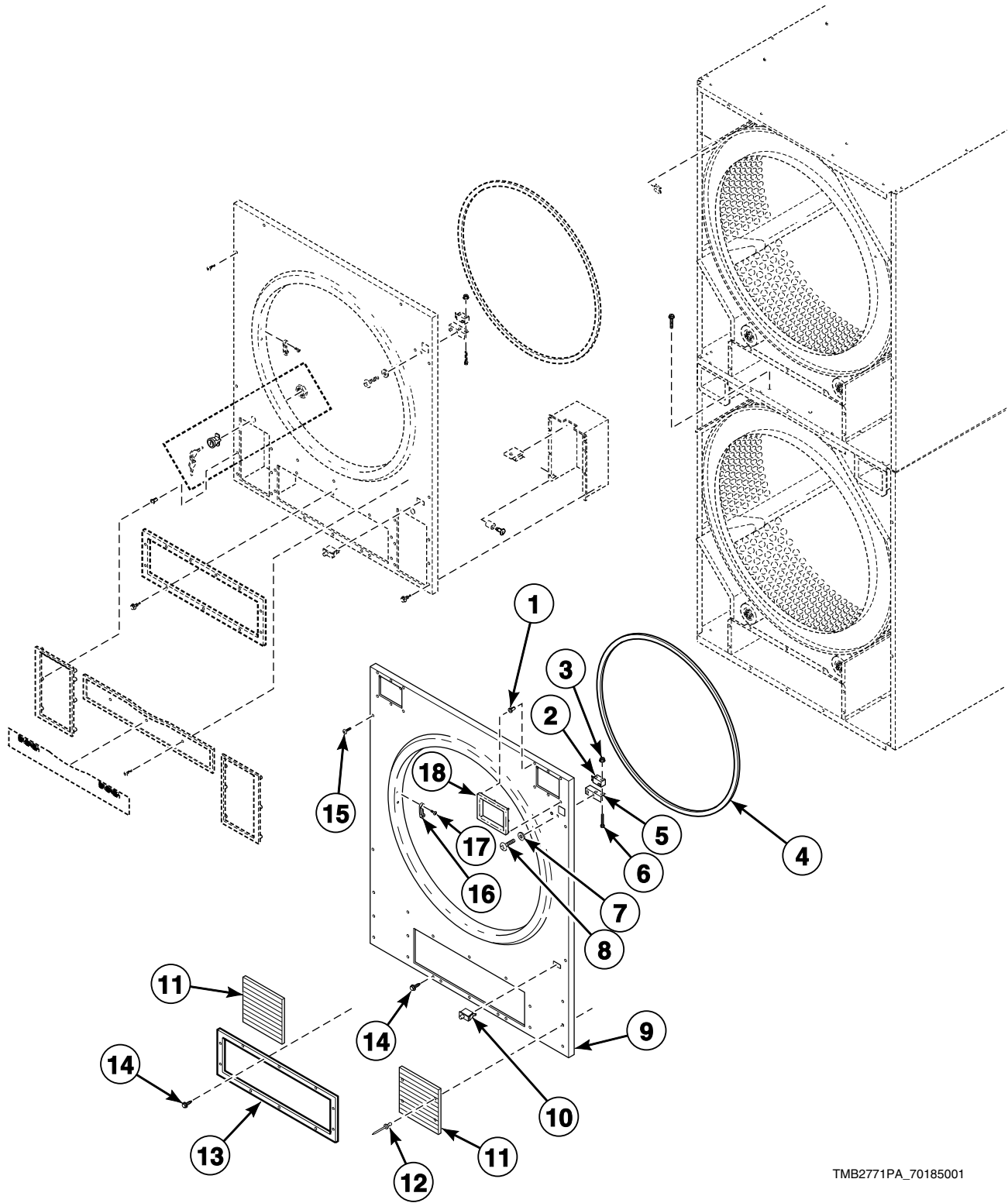
# Upper Front Panel Components

REF	PART NO.	DESCRIPTION	COMMENTS
1	70033502	Screw	
2	70391301WP	Upper Front Panel Assembly	JT and ST models; Includes items 3 and 4
	70176002P	Upper Front Panel Assembly	Stainless steel; JT and ST models; Includes items 3 and 4
	70176003*P	Upper Front Panel Assembly	DC, JC, PC and SC models; Includes items 3 and 4
	70176004P	Upper Front Panel Assembly	JC and SC models; Includes items 3 and 4
3	M401223	Door Latch	
4	M400003	Pop Rivet	4 required per control housing
5	70125101	Door Switch	JC and SC models
6	70072901	Nut	JC and SC models
7	70173401P	Front Panel Seal	
8	70233101	Top Panel	
9	70069901	Screw	
10	70119901	Control Housing	
11	70119301	Door Switch Bracket	JC and SC models
12	M401938	Screw	JC and SC models
13	M406494	Panel Clip	2 required per control housing
14	430725	Pop Rivet	2 required per control housing
15	431264	Spacer	2 required per control housing
16	70413301	Pushbutton Switch	
17	70120501	Control Trim	Center; S models
18	70116901	Control Trim	Right; S models
	70117001	Control Trim	Left and right; J models
19	M405188	Screw	2 required; S models
20	70114601	Overlay	S models
	70412901	Overlay	P models
21	70116902	Control Trim	Left; S models
22	M411072	Screw	
23	70117901P	Lint Drawer Gasket	
24	M400972	Shadow Box Clip	
25	70155601	Key	Refer to note; RL001
26	44089301P	Lock, Key and Nut Kit	Refer to note; RL001; Includes item 26
27	44088801	Nut	
28	70132301	Screw	JC and SC models
29	F430311	Washer	JC and SC models

\* Add Letter To Designate Color. L - Almond W - White

**NOTE: Locks with key codes H2133, H2141 are no longer available. When replacing these items, order both lock and key.**

# Lower Front Panel Components



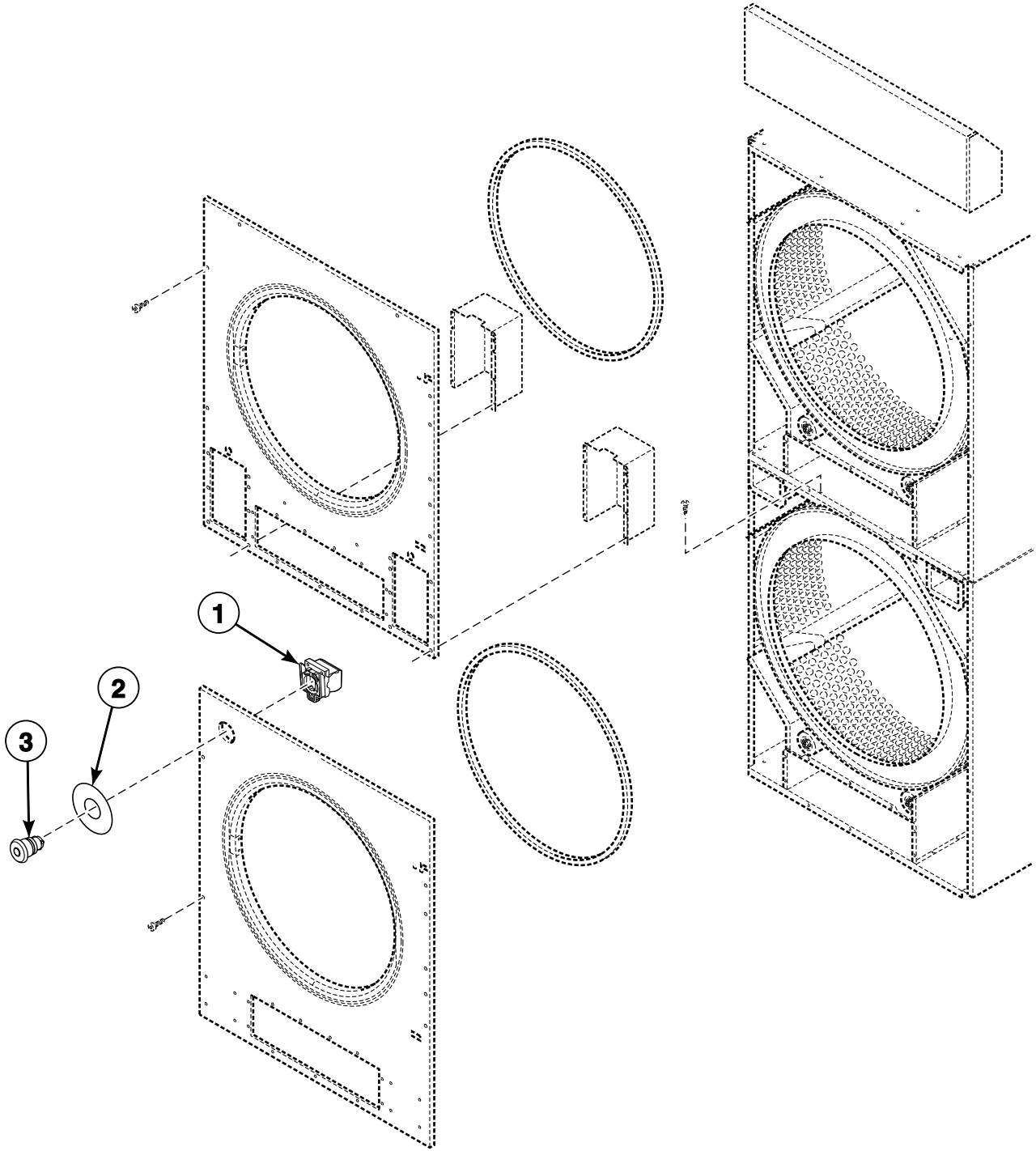
TMB2771PA\_70185001

## Lower Front Panel Components

REF	PART NO.	DESCRIPTION	COMMENTS
1	M400972	Shadow Box Clip	Holds coin vault trim
2	70125101	Door Switch	JC and SC models
3	70072901	Nut	JC and SC models
4	70173401P	Front Panel Seal	
5	70119301	Door Switch Bracket	JC and SC models
6	M401938	Screw	JC and SC models
7	F430311	Washer	JC and SC models
8	70132301	Screw	JC and SC models
9	70176101WP	Lower Front Panel Assembly	JT and ST coin models; Includes items 16 and 17
	70176102P	Lower Front Panel Assembly	Stainless steel; JT and ST coin models; Includes items 16 and 17
	70176103W	Lower Front Panel Assembly	JT and ST OPL models; Includes items 16 and 17
	70176104P	Lower Front Panel Assembly	Stainless steel; JT and ST OPL models; Includes items 16 and 17
	N/A	Lower Front Panel Assembly	JC and SC coin models; Includes items 16 and 17
	70176106	Lower Front Panel Assembly	Stainless steel; JC and SC coin models; Includes items 16 and 17
	70176107WP	Lower Front Panel Assembly	JC and SC OPL models; Includes items 16 and 17
	70176108	Lower Front Panel Assembly	Stainless steel; JC and SC OPL models; Includes items 16 and 17
10	70413301	Pushbutton Switch	
11	70117605	Kickplate	S models
	70117606	Kickplate	J models
12	70126401	Pop Rivet	
13	70117901P	Lint Drawer Gasket	
14	M411072	Screw	
15	70033502	Screw	
16	M401223	Door Latch	
17	M400003	Pop Rivet	
18	70117501	Coin Vault Trim	Gray; J models
	70117502	Coin Vault Trim	Black; S models
	N/A	Coin Vault Trim	White; P models

**N/A = Part no longer available**

# Emergency Stop Button for CE Models



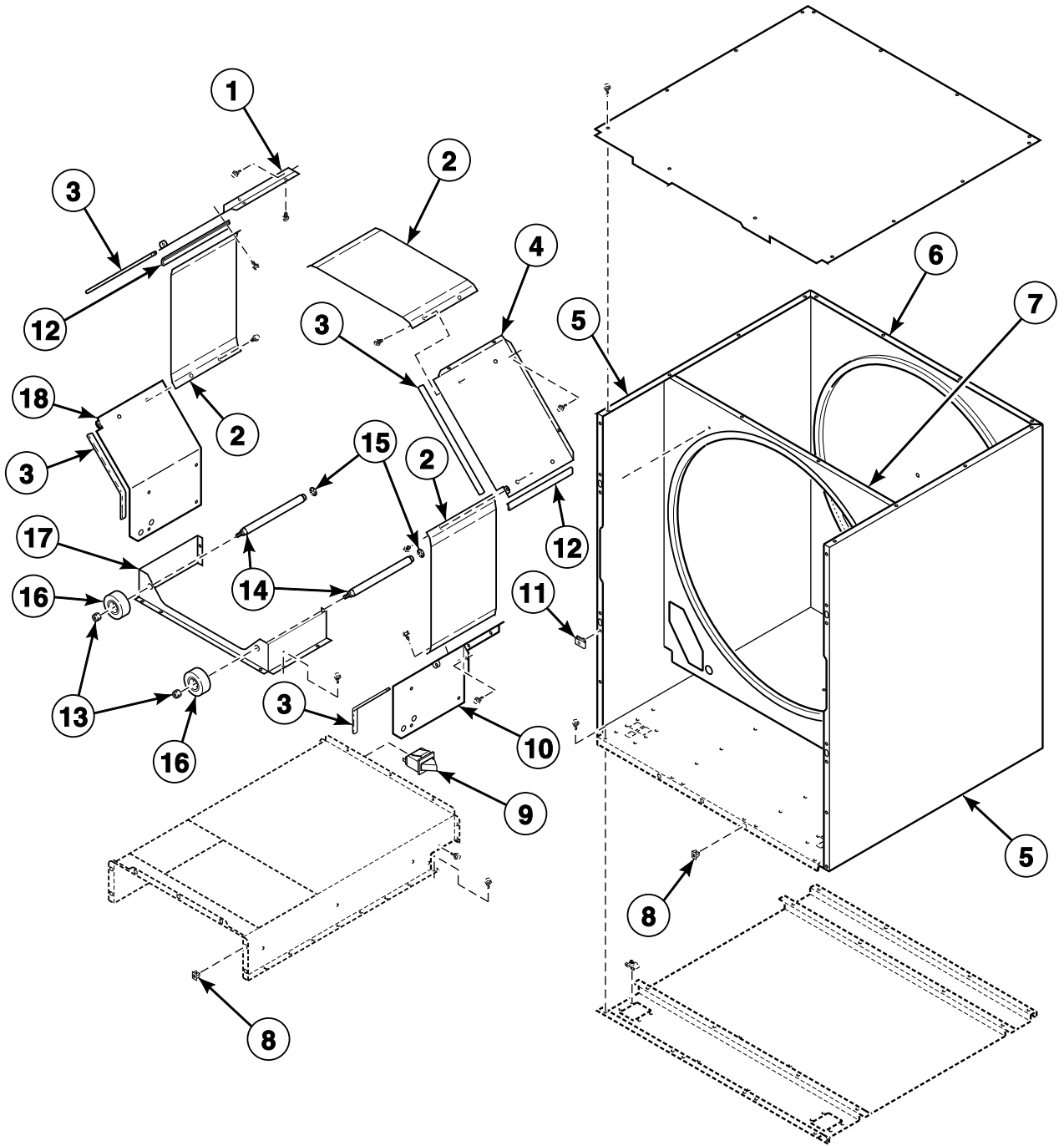
TMB2347P\_70185001

## Emergency Stop Button for CE Models

REF	PART NO.	DESCRIPTION	COMMENTS
	70235301	Emergency Stop Switch Harness Assembly	
1	N/A	Contact Block	JC and SC models
2	44012901	Emergency Stop Label	JC and SC models
3	44018801	Pushbutton	JC and SC models; If replacing this part, also order 44018701 Contact Block and 44018901 Contact Block

**N/A = Part no longer available**

# Upper Cylinder Support Components



TMB2833P\_70185001

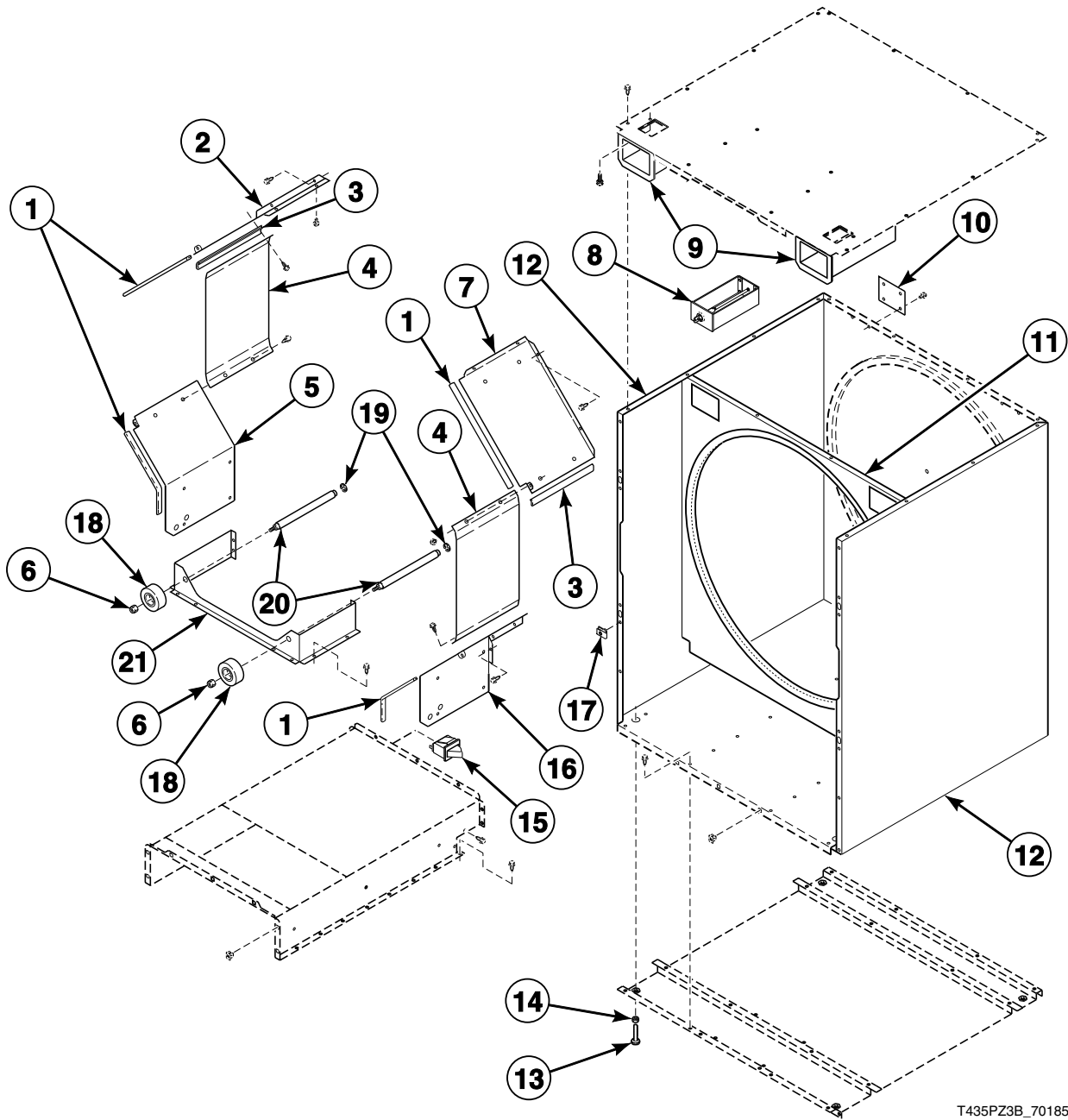


## Upper Cylinder Support Components

REF	PART NO.	DESCRIPTION	COMMENTS
	70235201	Coin Vault Switch Harness Assembly	EDC; Coin
	70058501	Pop Rivet	31 per side panel
<b>1</b>	70022101	Partition Baffle	Upper left
	70232602	Partition Baffle	Upper left; Models starting Serial No. 0001017880
<b>2</b>	70036601	Thermal Shield	Discontinued after Serial No. 9807017397
<b>3</b>	70015701	Baffle Gasket	11.38 inches
<b>4</b>	70022001	Partition Baffle	Upper right
	70232601	Partition Baffle	Upper right; Models starting Serial No. 0001017880
<b>5</b>	N/A	Side Panel	
<b>6</b>	70243401P	Rear Panel	Gas models
	70243402	Rear Panel	Electric or steam models
<b>7</b>	70066003	Center Cylinder Seal	
<b>8</b>	70030501	Expansion Clip	
<b>9</b>	431159	Switch	
<b>10</b>	70057101	Partition Baffle	Lower right
	70232701	Partition Baffle	Lower right; Models starting Serial No. 0001017880
<b>11</b>	70030401	Nut	
<b>12</b>	70015702	Baffle Gasket	8.75 inches
	70015705	Baffle Gasket	Models starting Serial No. 0001017880
<b>13</b>	430576	Nut	
<b>14</b>	70017701	Roller Shaft	
	70232001	Roller Shaft	Models starting Serial No. 0001017880
<b>15</b>	70023601	Retaining Ring	
<b>16</b>	70616701	Roller and Seal Kit	
<b>17</b>	70055001	Roller Support Bracket	
	70231901	Roller Support Bracket	Models starting Serial No. 0001017880
<b>18</b>	70198801	Partition Baffle	Lower left
	70232801	Partition Baffle	Lower left; Models starting Serial No. 0001017880

**N/A = Part no longer available**

# Lower Cylinder Support Components



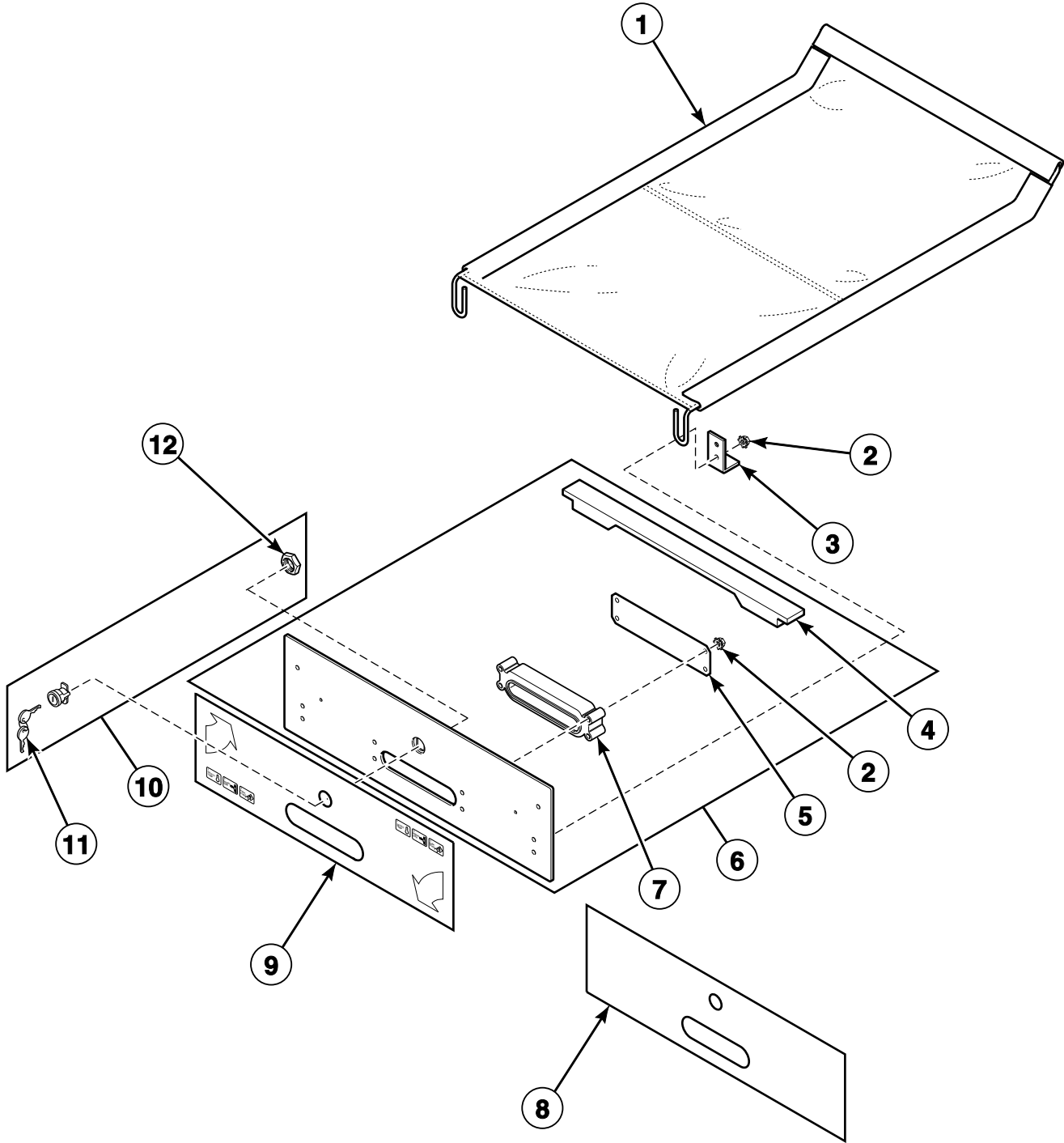
T435PZ3B\_70185001

## Lower Cylinder Support Components

REF	PART NO.	DESCRIPTION	COMMENTS
	70235201	Coin Vault Switch Harness Assembly	EDC; Coin
	70058502	Pop Rivet	13 per coin vault
	70058501	Pop Rivet	31 per side panel
	70296401	Coin Chute Assembly	
	70226701	Clip	Center seal
1	70015701	Baffle Gasket	11.38 inches
2	70215302	Partition Baffle	Upper left
	70232602	Partition Baffle	Upper left; Models starting Serial No. 0001017880
3	70015702	Baffle Gasket	8.75 inches
	70015705	Baffle Gasket	Models starting Serial No. 0001017880
4	70036601	Thermal Shield	
5	70198801	Partition Baffle	Lower left
	70232801	Partition Baffle	Lower left; Models starting Serial No. 0001017880
6	430576	Nut	
7	70215303	Partition Baffle	Upper right
	70232601	Partition Baffle	Upper right; Models starting Serial No. 0001017880
8	F160673P	Coin Box	Includes lock and key
9	70180101	Coin Vault Assembly	
10	70058301	Cabinet Strap	
11	70066003	Center Cylinder Seal	Center
12	N/A	Side Panel	
13	34319	Leveling Leg	
14	21899	Nut	
15	431159	Switch	
16	N/A	Partition Baffle	Lower right
	70232701	Partition Baffle	Lower right; Models starting Serial No. 0001017880
17	70030501	Expansion Clip	
18	70616701	Roller and Seal Kit	
19	70023601	Retaining Ring	
20	70017701	Roller Shaft	
	70232001	Roller Shaft	Models starting Serial No. 0001017880
21	70055001	Roller Support Bracket	
	70231901	Roller Support Bracket	Models starting Serial No. 0001017880

N/A = Part no longer available

# Lint Drawer Components



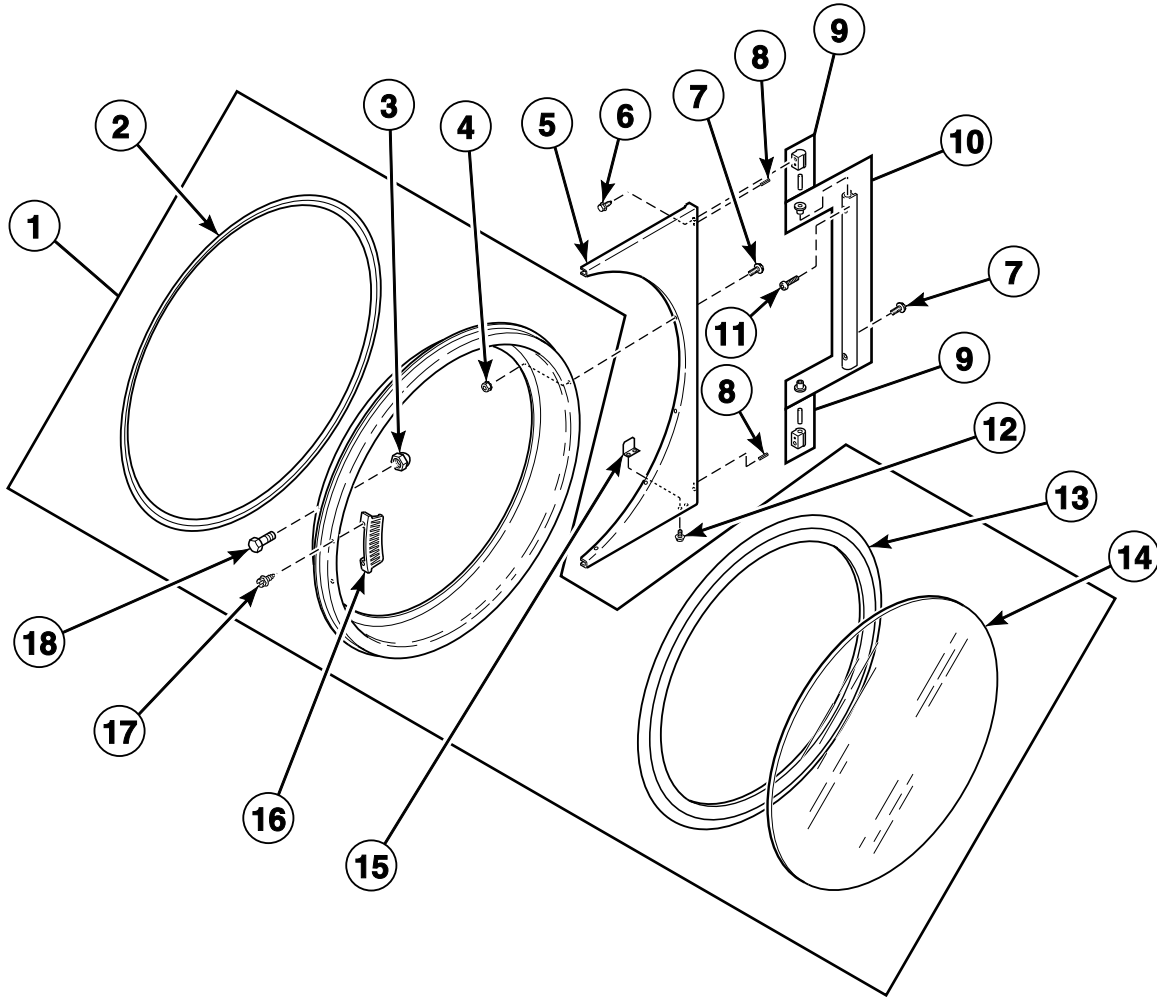
TMB2640P\_70185001

## Lint Drawer Components

REF	PART NO.	DESCRIPTION	COMMENTS
1	70290601	Lint Screen Assembly	
2	29786	Nut	
3	70026901	Lint Screen Bracket	
4	70333101	Lint Frame Gasket	
5	70323201	Lint Drawer Handle Plate	
6	70322901P	Lint Drawer Front Kit	Black; Includes items 4, 5, 7 and 70342401 Lock Shim
	70322902P	Lint Drawer Front Kit	Gray; Includes items 4, 5, 7 and 70342401 Lock Shim
7	70320801	Lint Drawer Handle	Black
	70320802	Lint Drawer Handle	Gray
8	70115301	Overlay	ST models; Lower lint drawer
	70115201	Overlay	JT models; Lower lint drawer
	70136601	Overlay	JC models; Lower lint drawer
	70136401	Overlay	SC models; Lower lint drawer
9	70114701	Overlay	ST models; Upper lint drawer
	70115101	Overlay	JT models; Upper lint drawer
	70136501	Overlay	SC models; Upper lint drawer
	70136401	Overlay	JC models; Upper lint drawer
10	44089301P	Lock, Key and Nut Kit	RL001 key code; For use on top access panel only; Refer to note
	44089302P	Lock, Key and Nut Kit	RL002 key code; For use on top access panel and lint drawer; Refer to note
11	70155601	Key	RL001; For use on top access panel only; Refer to note
	70155602	Key	RL002; For use on top access panel and lint drawer; Refer to note
12	44088801	Nut	

**NOTE: Locks with key codes H2133, H2141 are no longer available. When replacing these items, order both lock and key.**

# Door and Hinge Components



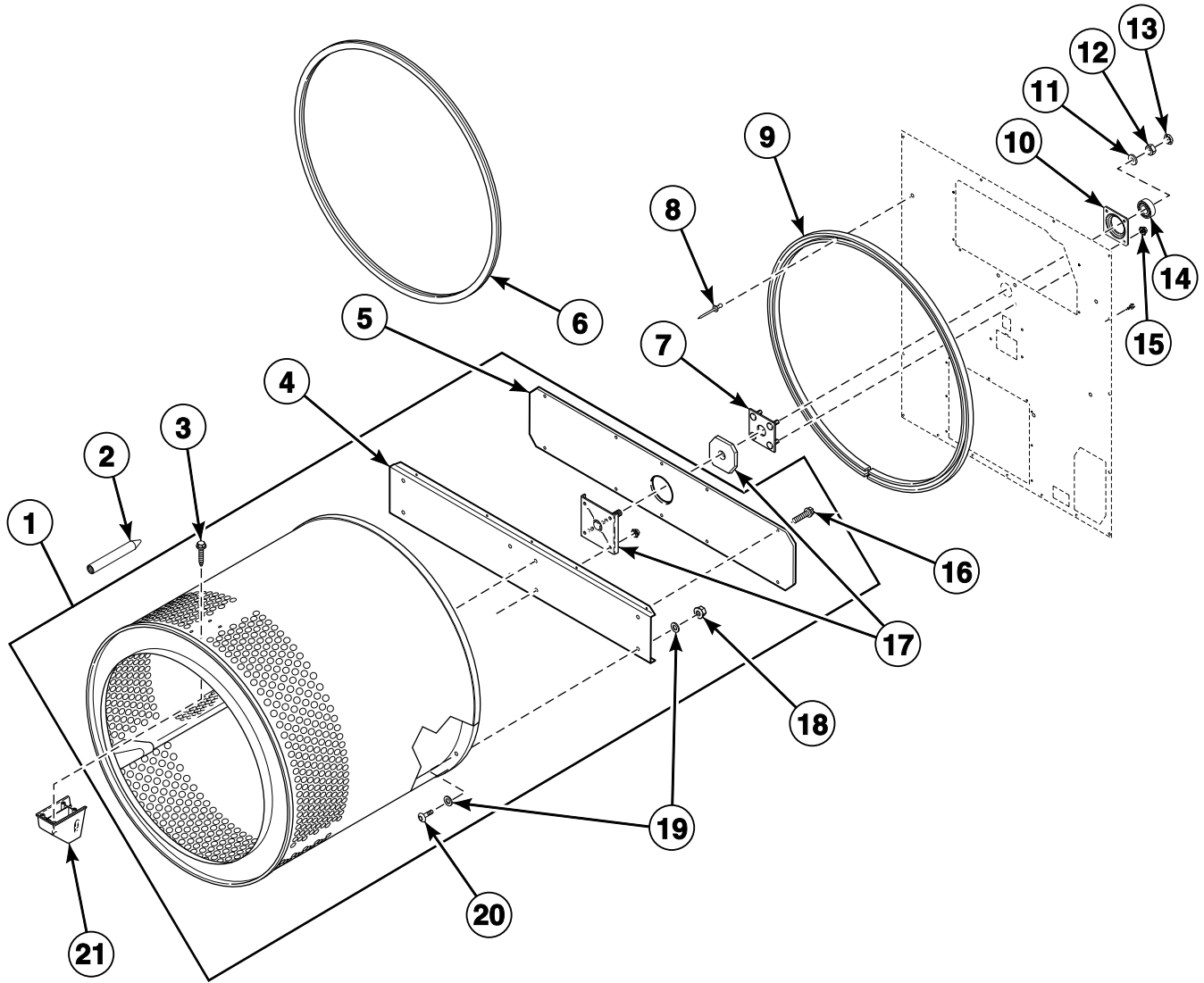
TMB2597P\_70185001

## Door and Hinge Components

REF	PART NO.	DESCRIPTION	COMMENTS
	70133501P	Replacement Door Handle Kit	J models
1	70212300	Door Assembly	S models
	44058001P	Door Assembly	J models
	70212200	Door Assembly	P models
2	70296801	Door Ring Gasket	
3	M414215	Nut	For door strike; Mounts between door strike screw and door handle
4	23951	Nut	
5	70115901*	Door Hinge	
	70115902	Door Hinge	Stainless steel
6	61199	Screw	
7	M400044	Screw	
8	70126201	Screw	
9	M4772P3	Hinge Cam Kit	
10	44035001	Door Hinge Lug Assembly	
11	70033502	Screw	
12	70058501	Pop Rivet	
13	70211901P	Door Glass Seal Kit	
14	70133601P	Door Glass	J models
	M400784P	Door Glass	All other models
15	70215001P	Door Switch Actuator Kit	
16	44007902P	Door Handle	S models; Black
	M400133	Door Handle	P models
17	430757	Screw	Use with 70024801 Door Handle
	M409385	Screw	Use with 70133501 Door Handle
	M409385	Screw	Use with M400133 Door Handle
18	M400661	Screw	

\* Add Letter To Designate Color. L - Almond Q - Bisque W - White

# Cylinder Components



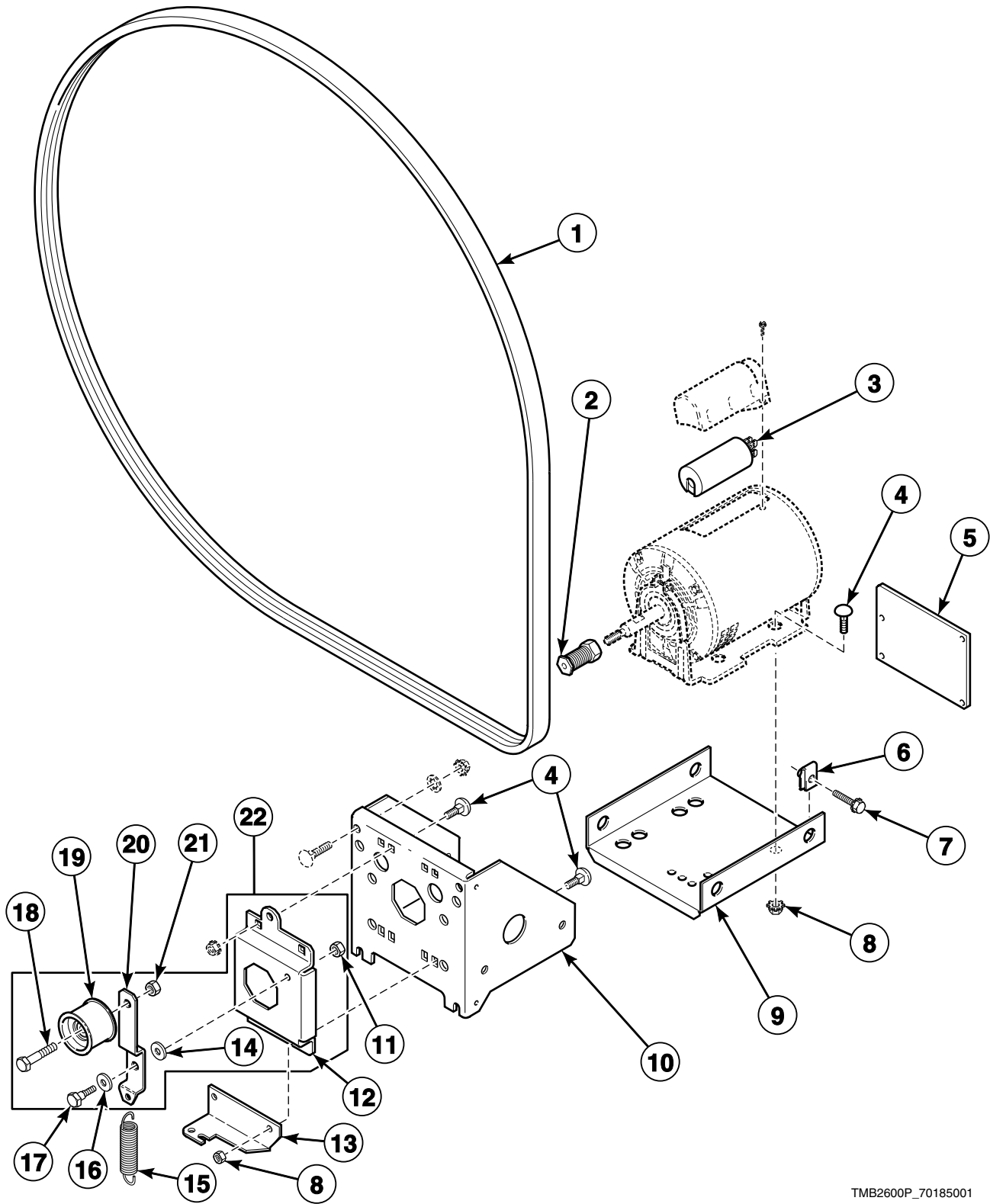
TMB2772P\_70185001



# Cylinder Components

REF	PART NO.	DESCRIPTION	COMMENTS
	70343101P	Drywall Screw Magnet Kit	
<b>1</b>	70222201P	Cylinder Kit	Galvanized
	70222202P	Cylinder Kit	Stainless steel; Includes channel; Perforated rib; Models starting Serial No. 9906019882
	70372501P	Cylinder Assembly	Galvanized; Models starting Serial No. 0001017880
	70372502P	Cylinder Assembly	Stainless steel; Models starting Serial No. 0001017880
<b>2</b>	263P4	Cylinder Guide Tool	
<b>3</b>	62588	Screw	
<b>4</b>	70257101	Rear Cylinder Channel	
<b>5</b>	70257201	Rear Cylinder Channel Plate	
<b>6</b>	70013701P	Rear Cylinder Seal	Use D511637P Adhesive
<b>7</b>	430352	Cylinder Bearing Stud Plate Assembly	
<b>8</b>	70058501	Pop Rivet	10 required; For cylinder seal support
<b>9</b>	70506402	Rear Cylinder Seal Support	
<b>10</b>	70013901	Rear Cylinder Bearing Housing	
<b>11</b>	M400991	Washer	
<b>12</b>	M400022	Nut	
<b>13</b>	M400034	Nut	
<b>14</b>	70448701	Support Bearing	
<b>15</b>	M412986	Nut	
<b>16</b>	430497	Screw	10 required
<b>17</b>	70564803	Trunnion and Seal Kit	
<b>18</b>	44087201	Nut	
<b>19</b>	70411301	Washer	8 required for galvanized; 4 required for stainless steel
<b>20</b>	70392801	Bolt	8 required
<b>21</b>	70070101	End Cap	Cylinder baffle

# Drive Motor Components

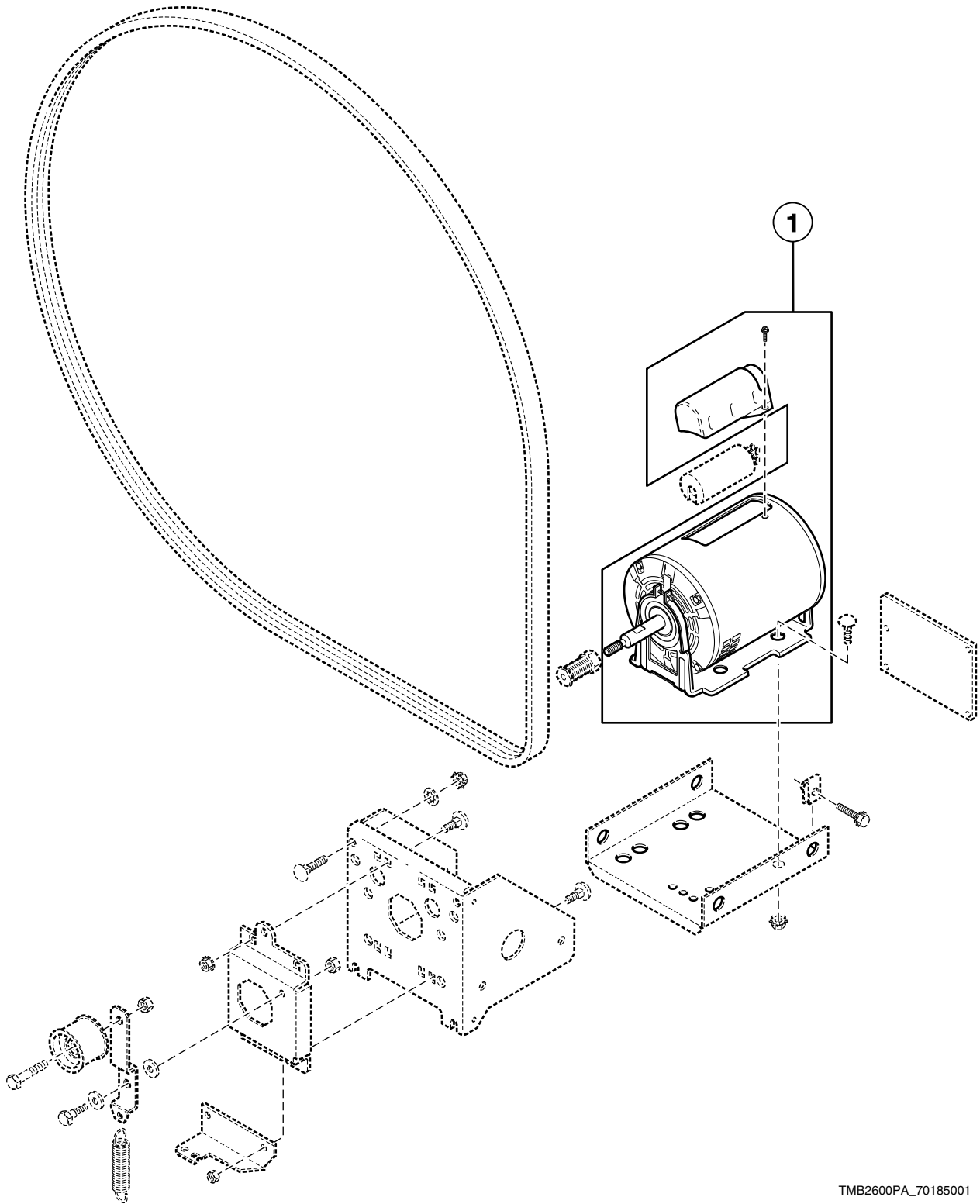


TMB2600P\_70185001

## Drive Motor Components

REF	PART NO.	DESCRIPTION	COMMENTS
	M4853P3	Belt Tension Tool Kit	
1	70276201P	Belt	
2	70284203	Motor Pulley	50 Hertz
	70284201	Motor Pulley	60 Hertz
3	70211401	Motor Capacitor	Run; For a 20 Amp tumbler with 70337901P Drive Motor Kit
	70211502	Motor Capacitor	Start; For a 20 Amp tumbler with 70337901P Drive Motor Kit
4	70062401	Bolt	
5	70202501	Drive Access Cover	
6	27222	Nut	
7	70566401	Screw	
8	M412986	Nut	
9	70127301	Motor Mount Bracket	
10	70261701	Motor Channel	
11	29786	Nut	
12	70261601	Cylinder Idler Bracket	
13	70443301	Idler Bracket	
14	70270301	Washer	
15	70045301	Drum Idler Spring	
16	70265901	Washer	
17	M400056	Screw	
18	430648	Screw	
19	70050401P	Idler Wheel Assembly	
20	70259901	Cylinder Idler Arm	
21	56156	Nut	
22	70275501P	Idler Assembly Service Kit	

# Drive Motors

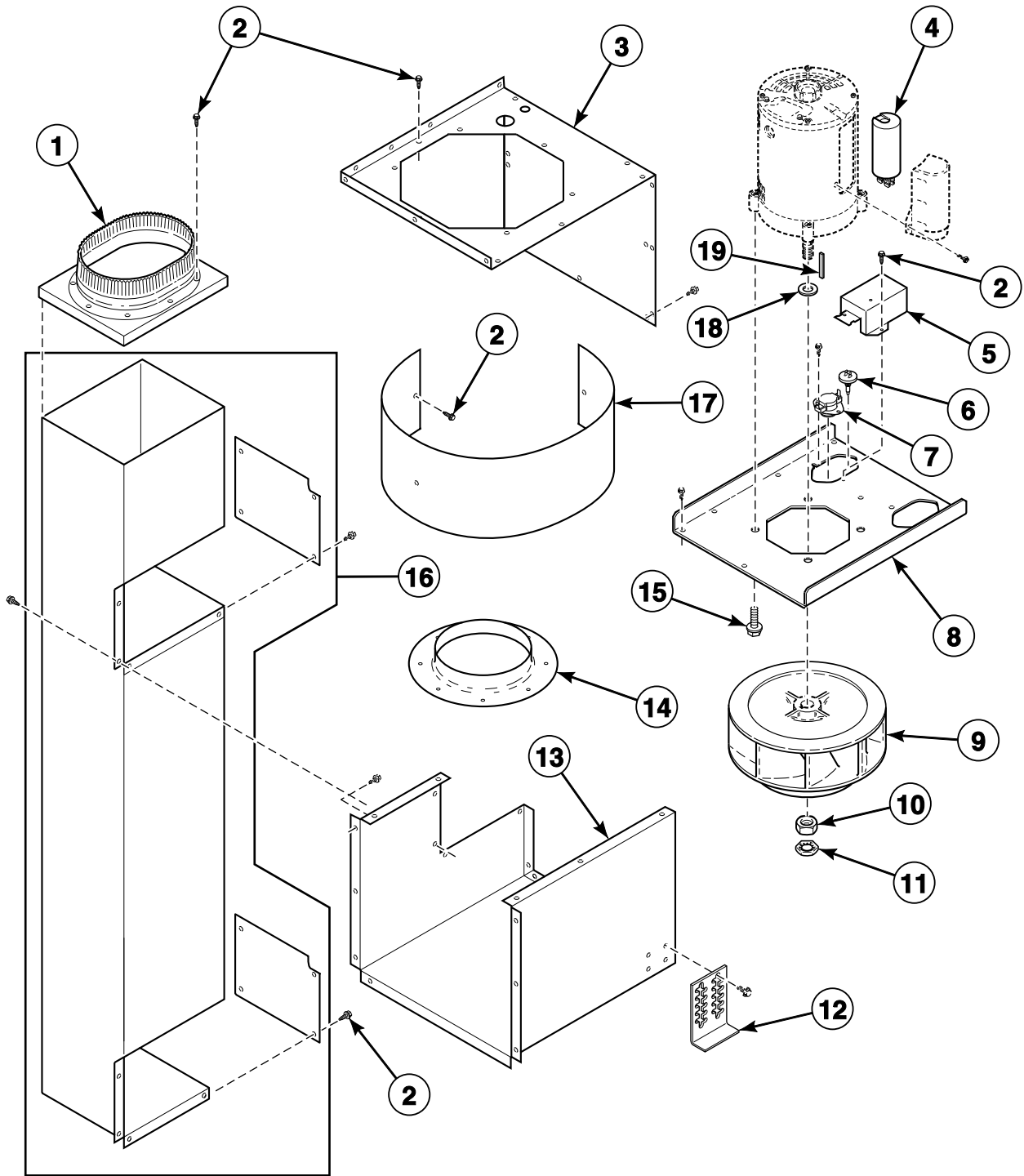


TMB2600PA\_70185001

# Drive Motors

REF	PART NO.	DESCRIPTION	COMMENTS
1	70337801P	Drive Motor	Gas and steam models with: 100 Volt/50 or 60 Hertz/1 Phase, 120 Volt/60 Hertz/1 Phase, 120, 208 or 240 Volt/60 Hertz/1 Phase (Models through Serial No. 9903002218 - 20 Amp motor); Electric models with: 200-208 Volt/60 Hertz/1 or 3 Phase, 200 Volt/50 Hertz/1 or 3 Phase, 240 Volt/60 Hertz/1 or 3 Phase
	70338101P	Drive Motor	Gas and steam models with: 200 Volt/50 Hertz/3 Phase, 230-240 Volt/50 Hertz/3 Phase, 240 Volt/60 Hertz/3 Phase, 380 Volt/50 Hertz/3 Phase, 460-480 Volt/60 Hertz/3 Phase; Electric models with: 380 Volt/50 Hertz/3 Phase, 400-415 Volt/50 Hertz/3 Phase, 460-480 Volt/60 Hertz/3 Phase
	70338001P	Drive Motor Kit	Gas and steam models with: 230-240 Volt/50 Hertz/1 Phase; Electric models with: 230-240 Volt/50 Hertz/1 or 3 Phase
	70337901P	Drive Motor Kit	120-240 Volt/60 Hertz/1 Phase; Low Amp

# Blower and Exhaust Components



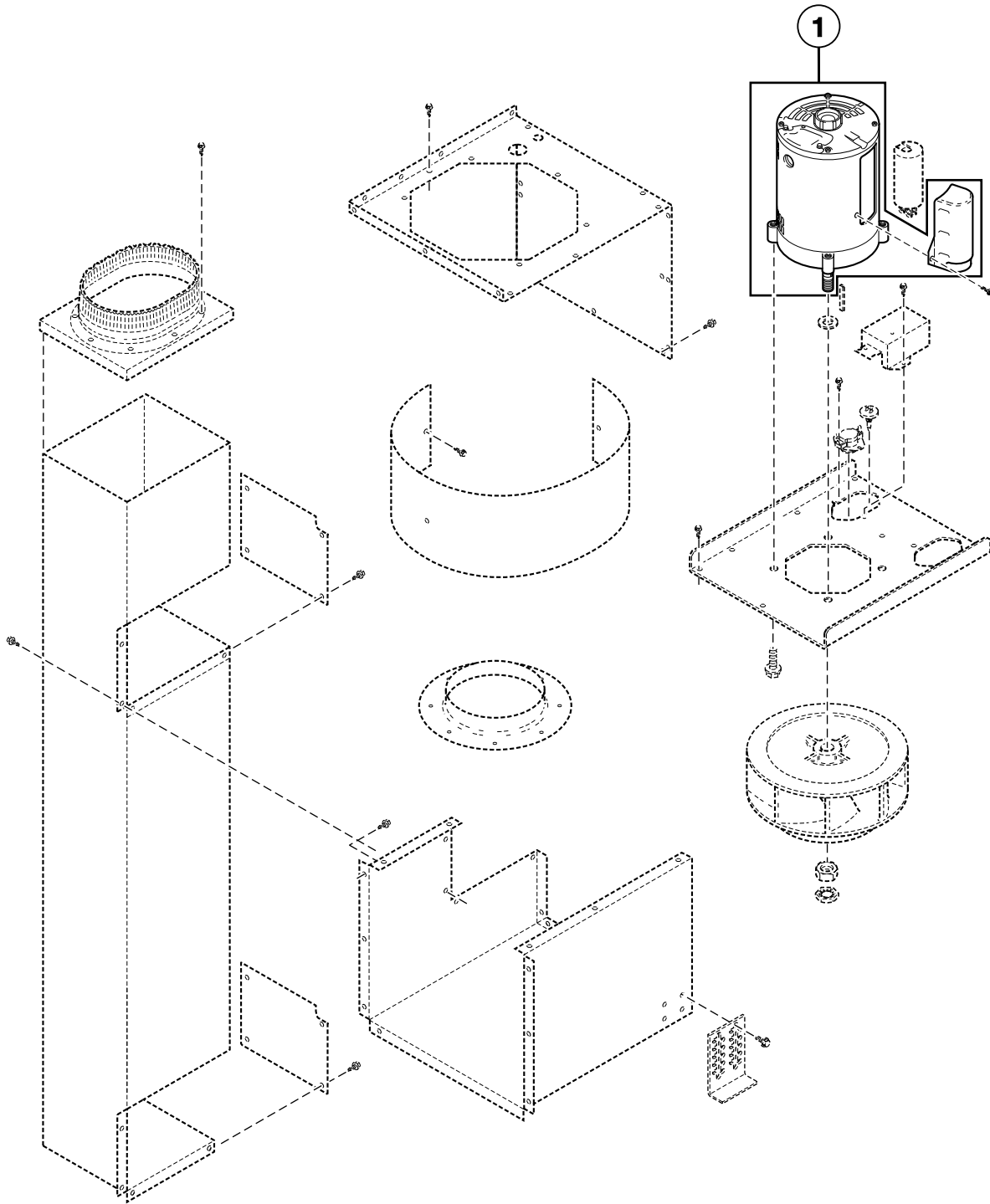
TMB2601P\_70185001

## Blower and Exhaust Components

REF	PART NO.	DESCRIPTION	COMMENTS
	70056201	Exhaust Damper	Models through Serial No. 9903028339
	70017801	Exhaust Thimble	6 inch; Models through Serial No. 9903028339
	21899	Nut	For duct manifold; Models through Serial No. 9903028339
<b>1</b>	70207501	Duct Cover	Models starting Serial No. 9903028340
<b>2</b>	430497	Screw	
<b>3</b>	70299201	Blower Housing Cover Assembly	
<b>4</b>	70211501	Motor Capacitor	For a 20 Amp tumbler with 70337601P Blower Motor Kit
<b>5</b>	70112801	Thermistor Cover	
<b>6</b>	M414704	Thermistor	
<b>7</b>	M411945	Manual Reset Thermostat	JA, PA and SA models
	M411307	Limit Thermostat	All other models
<b>8</b>	N/A	Blower Motor Mounting Plate	
<b>9</b>	70359801P	Blower Assembly	
<b>10</b>	M400022	Nut	
<b>11</b>	M400034	Nut	
<b>12</b>	70200301	Rear Stabilizer Bracket	
<b>13</b>	70218001	Blower Housing	
<b>14</b>	70014101	Blower Inlet Cone	
<b>15</b>	70126101	Screw	
<b>16</b>	70246201	Exhaust Duct Assembly	
<b>17</b>	70218101	Blower Housing Scroll	
<b>18</b>	70017401	Washer	
<b>19</b>	70144101	Key	

**N/A = Part no longer available**

# Blower Motors



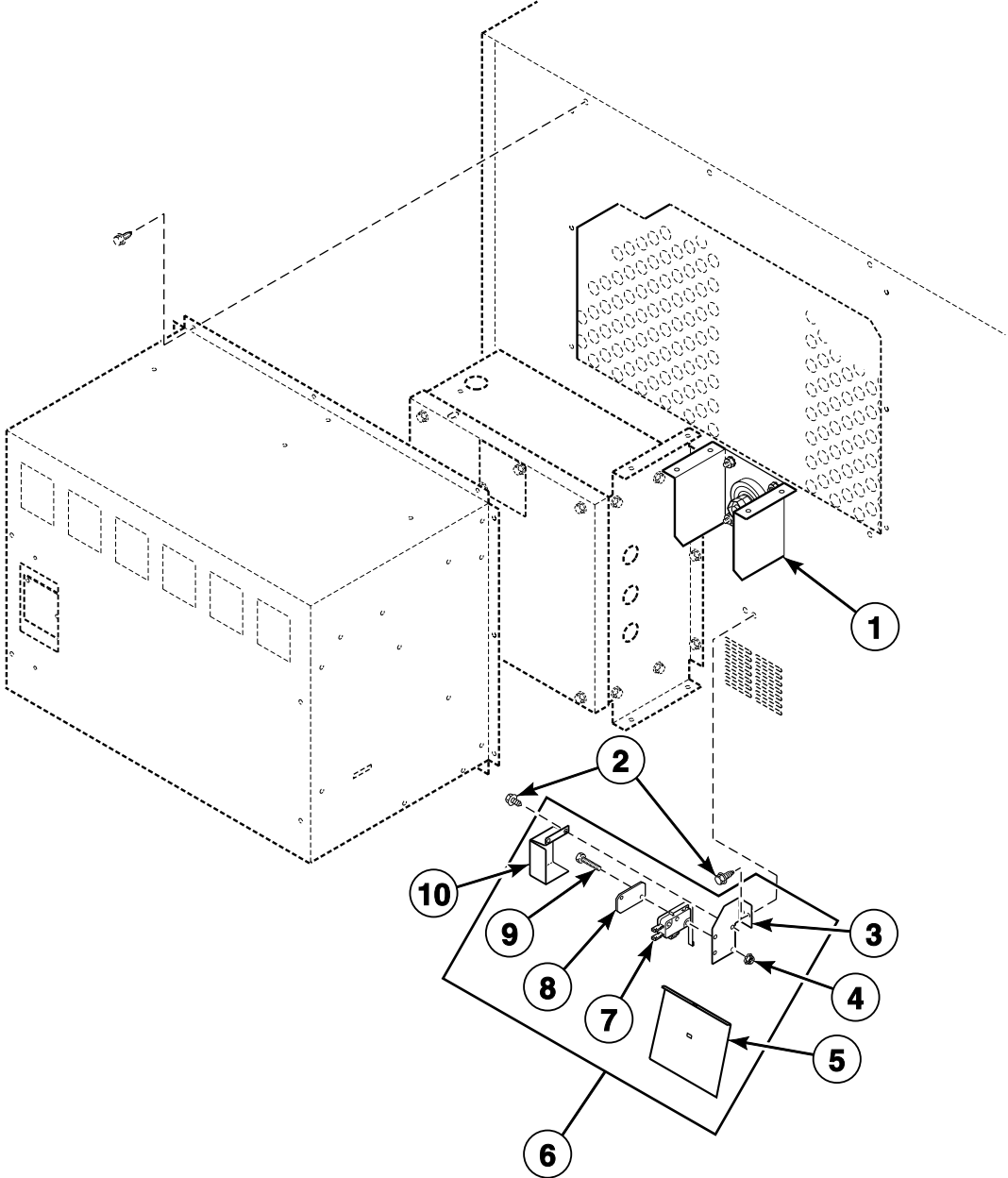
TMB2601PA\_70185001



# Blower Motors

REF	PART NO.	DESCRIPTION	COMMENTS
1	70337501P	Blower Motor	Gas and steam models through Serial No. 9903002218 with: 100 Volt/50 or 60 Hertz/1 Phase, 120 Volt/60 Hertz/1 Phase; Electric models with: 200-208 Volt/60 Hertz/1 or 3 Phase, 200 Volt/50 Hertz/1 or 3 Phase, 240 Volt/60 Hertz/1 or 3 Phase
	70342601P	Blower Motor	Gas and steam models with: 200 Volt/50 Hertz/3 Phase, 230-240 Volt/50 Hertz/3 Phase, 230 Volt/50 Hertz/3 Phase, 240 Volt/60 Hertz/3 Phase, 380 Volt/50 Hertz/3 Phase, 460-480 Volt/60 Hertz/3 Phase; Electric models with: 380 Volt/50 Hertz/3 Phase, 400-415 Volt/50 Hertz/3 Phase, 460-480 Volt/60 Hertz/3 Phase
	70337701P	Blower Motor Kit	Gas and steam models with: 230-240 Volt/50 Hertz/1 Phase; Electric models with: 230-240 Volt/50 Hertz/1 or 3 Phase
	70337601P	Blower Motor Kit	Gas and steam models with: 120, 208 or 240 Volt/60 Hertz/1 Phase (Models starting Serial No. 9903002218 - 20 Amp motor)

# Airflow Switch Components



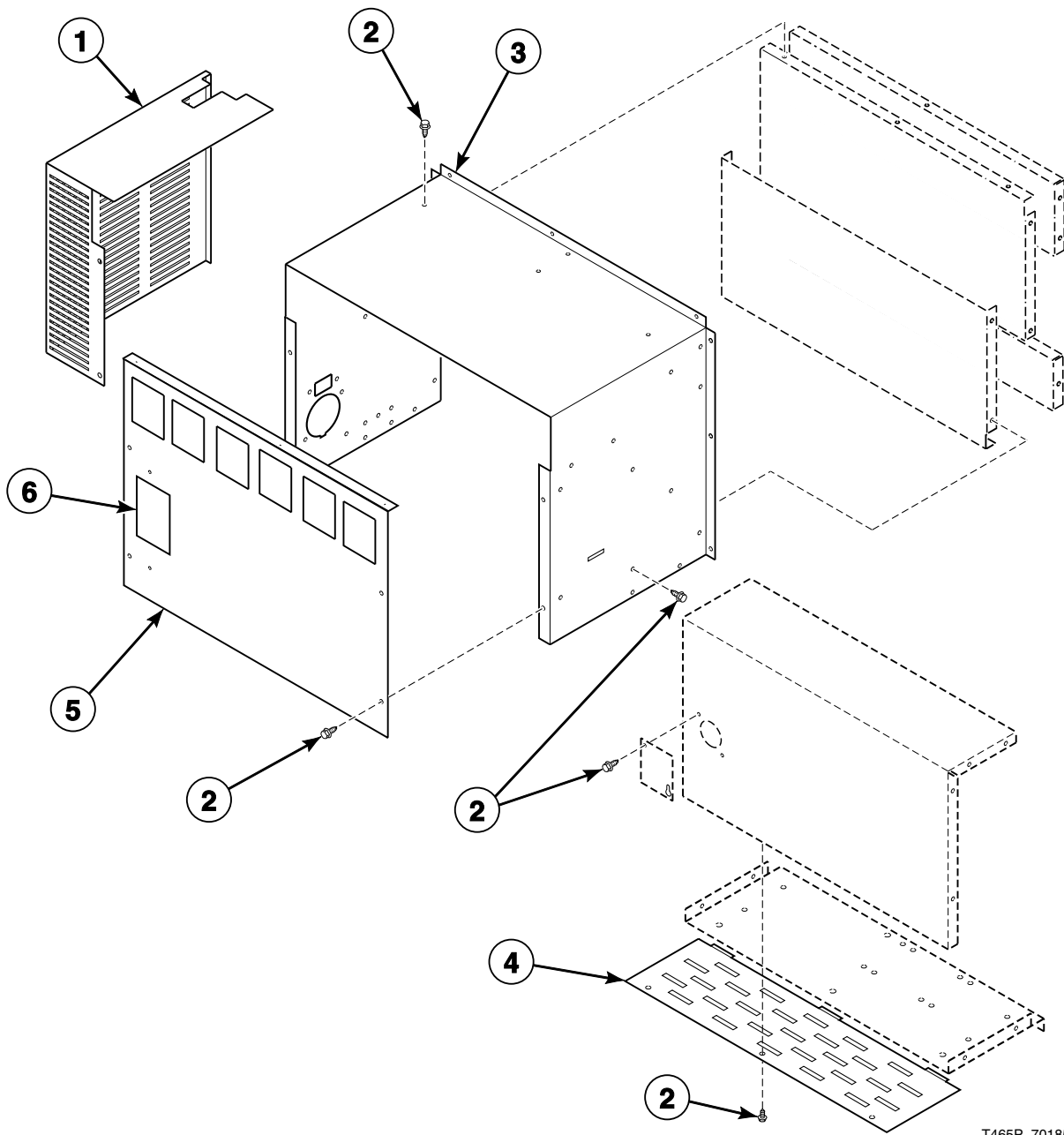
TMB2976P\_70185001

# Airflow Switch Components

REF	PART NO.	DESCRIPTION	COMMENTS
1	N/A	Bearing Housing Bracket	Rear
2	430497	Screw	
3	70266301	Airflow Switch Bracket	
4	M400979	Nut	
5	70266201	Airflow Switch Vane	
6	70270901P	Airflow Switch Kit	
7	70267301	Airflow Switch	
8	70271601	Airflow Switch Plate	
9	M401938	Screw	
10	70281801	Airflow Switch Cover	

N/A = Part no longer available

# Gas Burner Housing



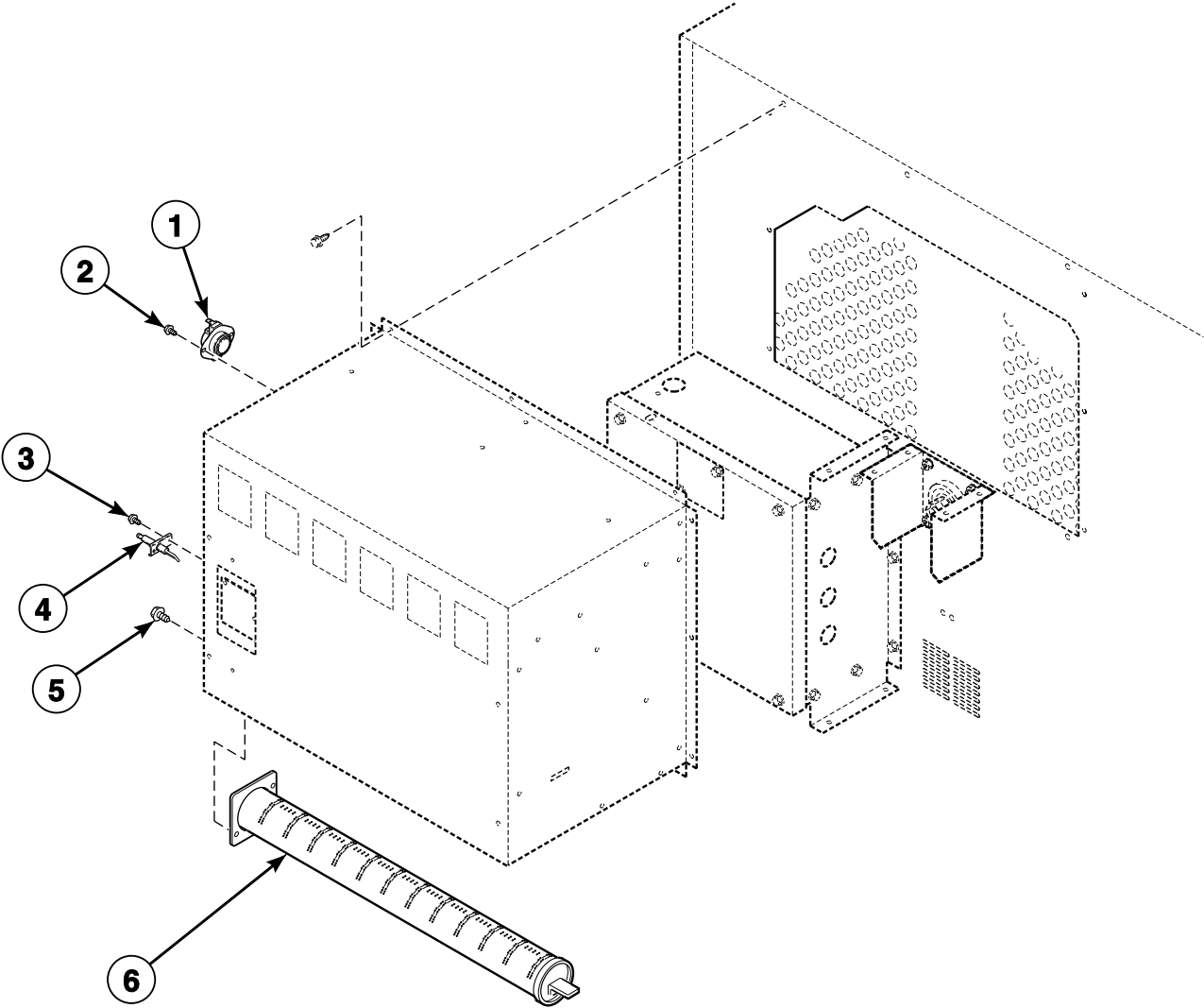
T465P\_70185001

# Gas Burner Housing

REF	PART NO.	DESCRIPTION	COMMENTS
1	M4747P3	Valve Bracket and Cover Kit	Upper; FG models through Serial No. 9807017397
	70133401	Gas Valve Cover	Lower; FG models through Serial No. 9807017397
	M4746P3	Valve Bracket and Cover Kit	RG models starting Serial No. 9807017398
2	430497	Screw	
3	N/A	Stove Top and Sides	
4	70188801	Burner Grill	
5	70183001	Stove Back	
6	70159601	Igniter Cover	

**N/A = Part no longer available**

# Gas Burner Components

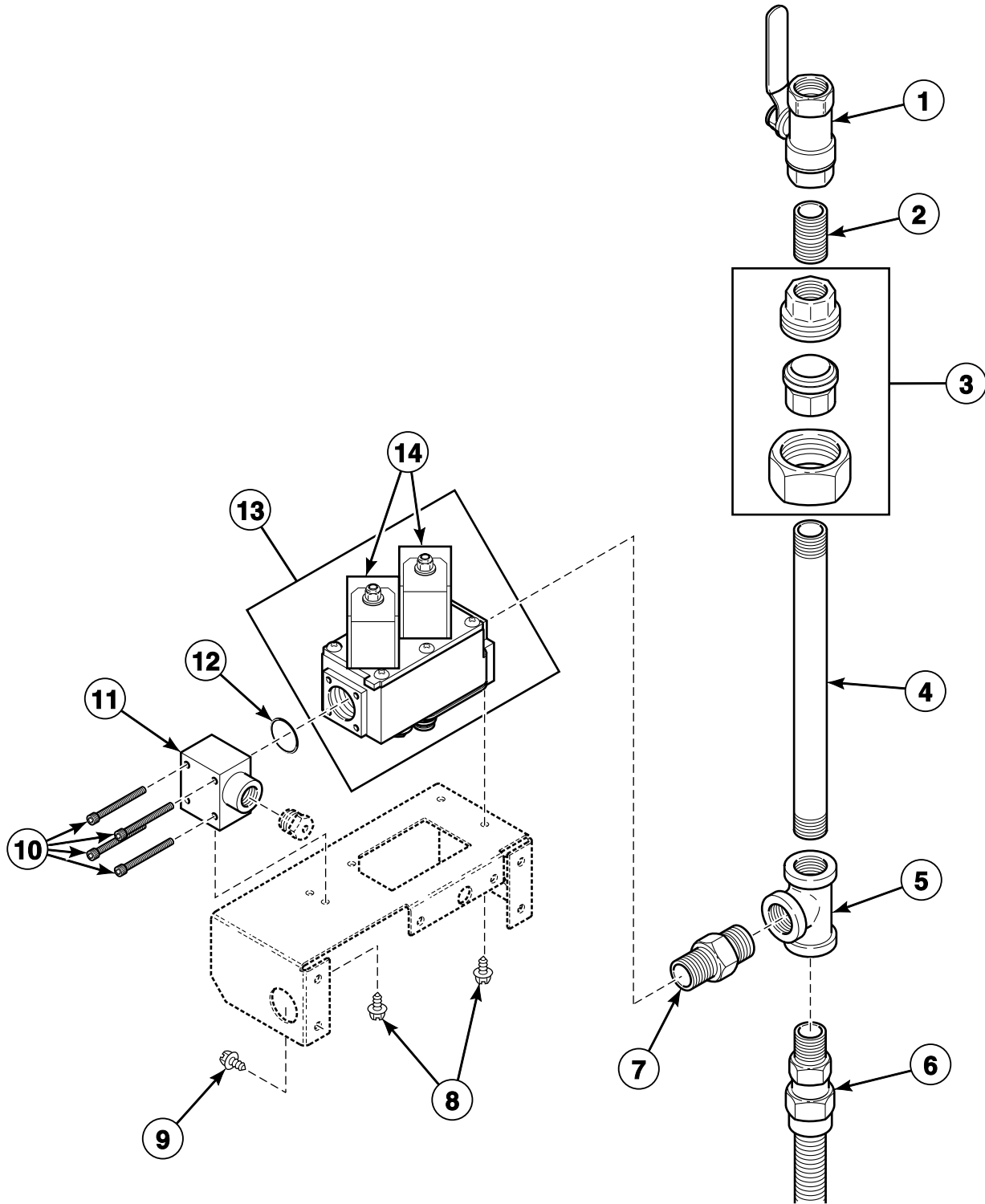


TMB2975P\_70185001

# Gas Burner Components

REF	PART NO.	DESCRIPTION	COMMENTS
	70184001	Gas Valve Harness	
	M4733P3	N.G. Valve Conversion Kit	FG models; Original burner is replaced by M4729P3 Down Rated Burner Kit on FG models
<b>1</b>	70186301	Manual Reset Thermostat	JA, PA and SA models
	M409219	Limit Thermostat	All other models
<b>2</b>	M402797	Screw	
<b>3</b>	430497	Screw	
<b>4</b>	70032801P	Spark Electrode	
<b>5</b>	05161	Screw	
<b>6</b>	70229801P	Gas Burner	RG models starting Serial No. 980717398; Downrated FG models

# Gas Valve and Piping



TMB2603P\_70185001



## Gas Valve and Piping

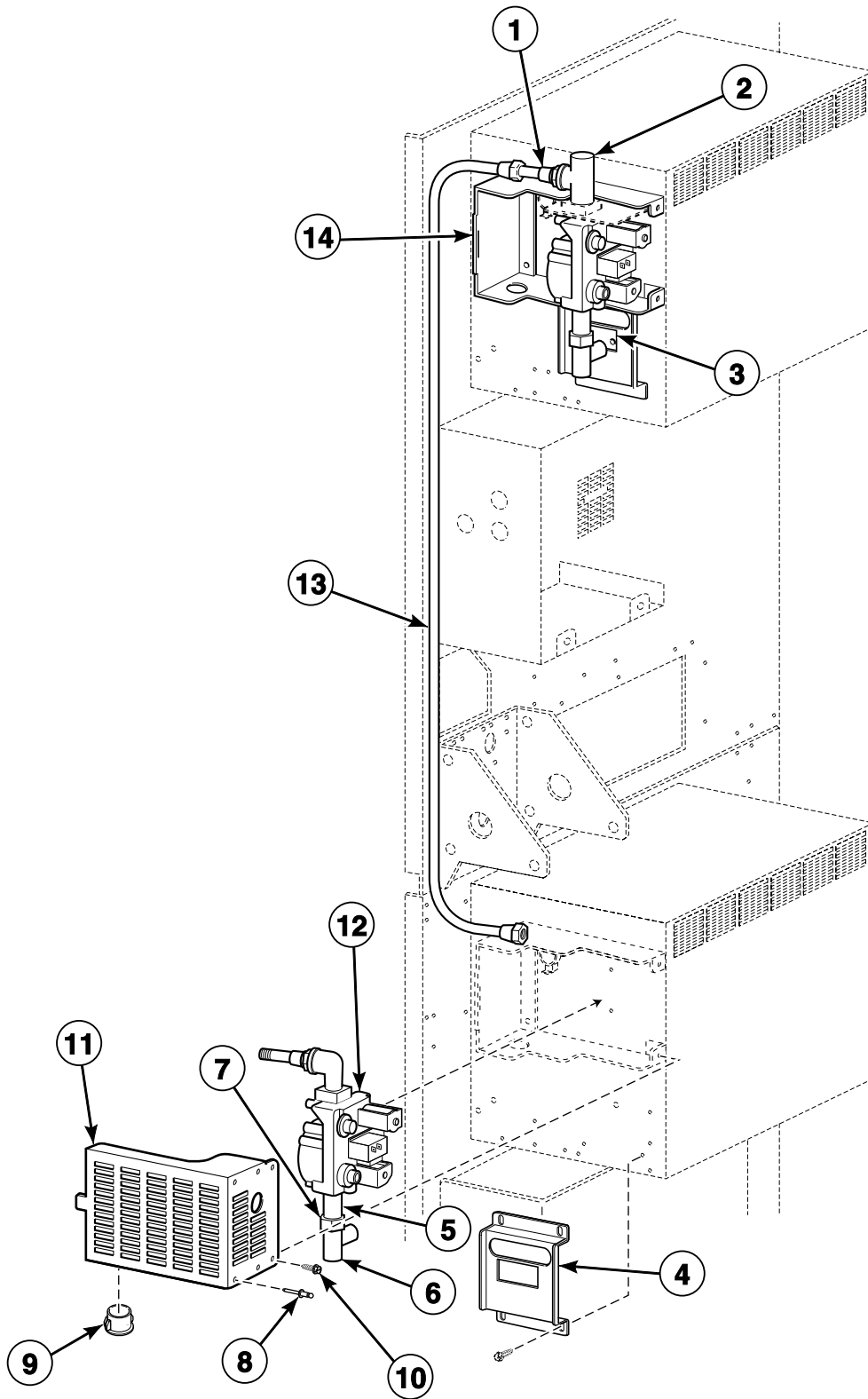
REF	PART NO.	DESCRIPTION	COMMENTS
	70184001	Gas Valve Harness	
	70079601	Elbow	90 degree; Lower unit
	M4707P3	L.P. Conversion Kit	RG models; 0-2,000 feet; Contains parts to convert both gas valves; For models with 176,000 Btu input order 2 of M4729P3 Down Rated Burner Kit in addition to the M4707P3 L.P. Conversion Kit. <b>See Note.</b>
	M4733P3	N.G. Valve Conversion Kit	FG models; Regulated
	M4734P3	L.P. Valve Conversion Kit	FG models; Unregulated
	70482301	Gas Valve Kit	To replace item 14
<b>1</b>	M412562P	Gas Shut-Off Valve	Upper unit
<b>2</b>	F420101	Nipple	
<b>3</b>	H86000031	Union	Upper unit
<b>4</b>	N/A	Pipe Nipple	9.5; Upper unit
<b>5</b>	70071801	Tee	Upper unit
<b>6</b>	N/A	Gas Connector Assembly	Lower to upper gas valve; Models through Serial No. 9903028339
	70203601	Gas Line Assembly	Models starting Serial No. 9903028339
<b>7</b>	N/A	Adapter	BPT to NPT; 2 required
<b>8</b>	23222	Screw	
<b>9</b>	430497	Screw	
<b>10</b>	431484	Screw	
<b>11</b>	70223501	Spud Adapter	
<b>12</b>	431482	O-Ring	Spud adapter to valve
<b>13</b>	70457301P	N.G. Valve	
	70457302P	L.P. Valve	
<b>14</b>	70260101	Gas Valve Coil	24 Volt

**N/A = Part no longer available**

**NOTE: For altitudes higher than 2,000 feet refer to Installation Manual for proper orifices.**

# Gas Valve Assembly

Models Starting Serial No. 0209009567



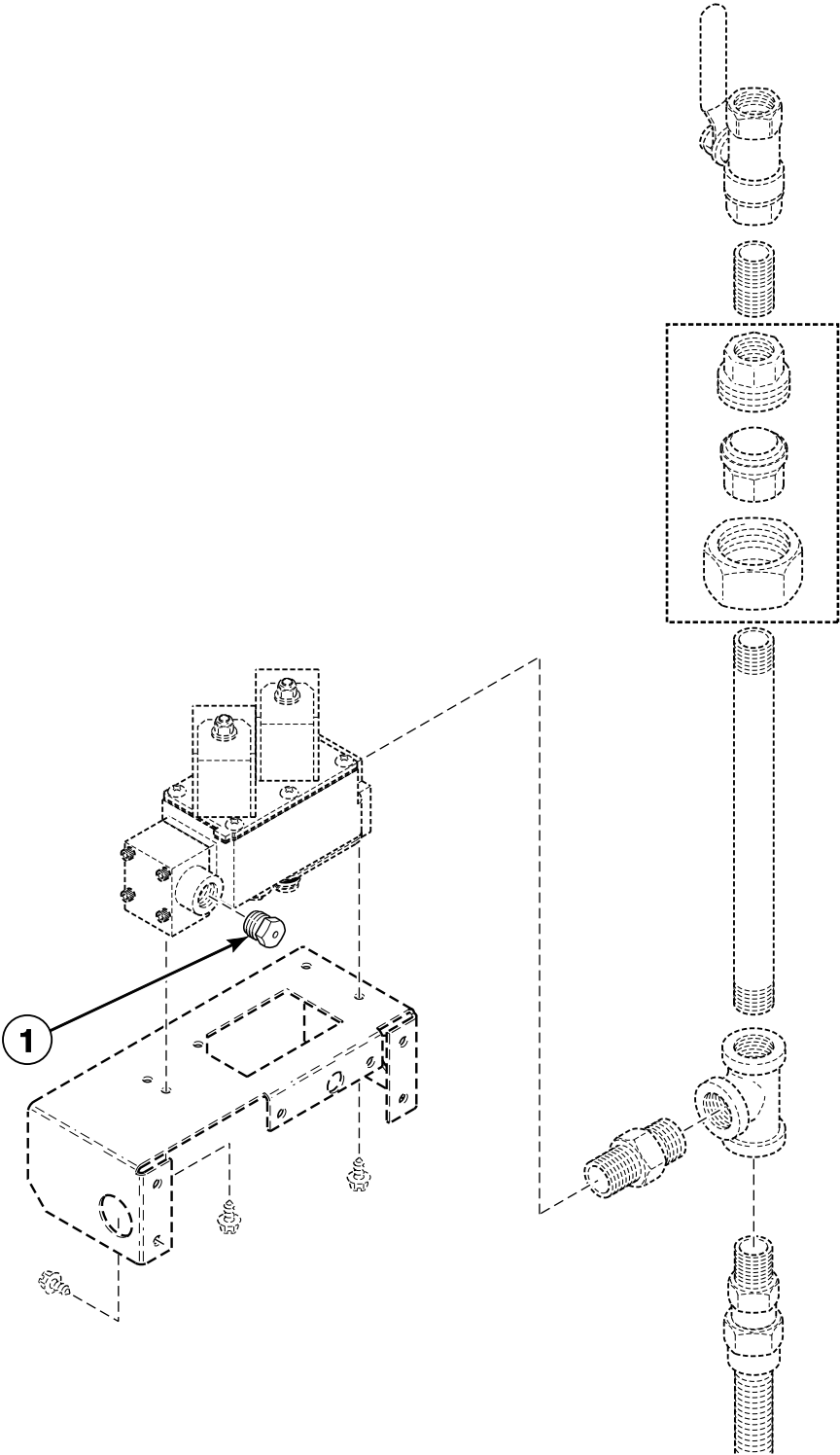
TMB2027P\_70185001

# Gas Valve Assembly

REF	PART NO.	DESCRIPTION	COMMENTS
1	70262601	Pipe	
2	70267501	Pipe Tee	
3	70249001	Orifice Keeper Bracket	
4	70248901	Orifice Holder Bracket	
5	70552801P	Orifice Adapter	
6	70297801	Orifice Adapter	
7	M401548	Nut	
8	70058501	Pop Rivet	
9	M400770	Snap Bushing	
10	430497	Screw	
11	70282401	Rear Valve Cover	
12	44154501P	Gas Valve	Natural Gas (N.G.)
	44154502P	Gas Valve	Liquid Petroleum Gas (L.P.)
13	70281601	Tube	
14	70282301	Forward Valve Cover	

# Burner Orifices

FG and RG Models



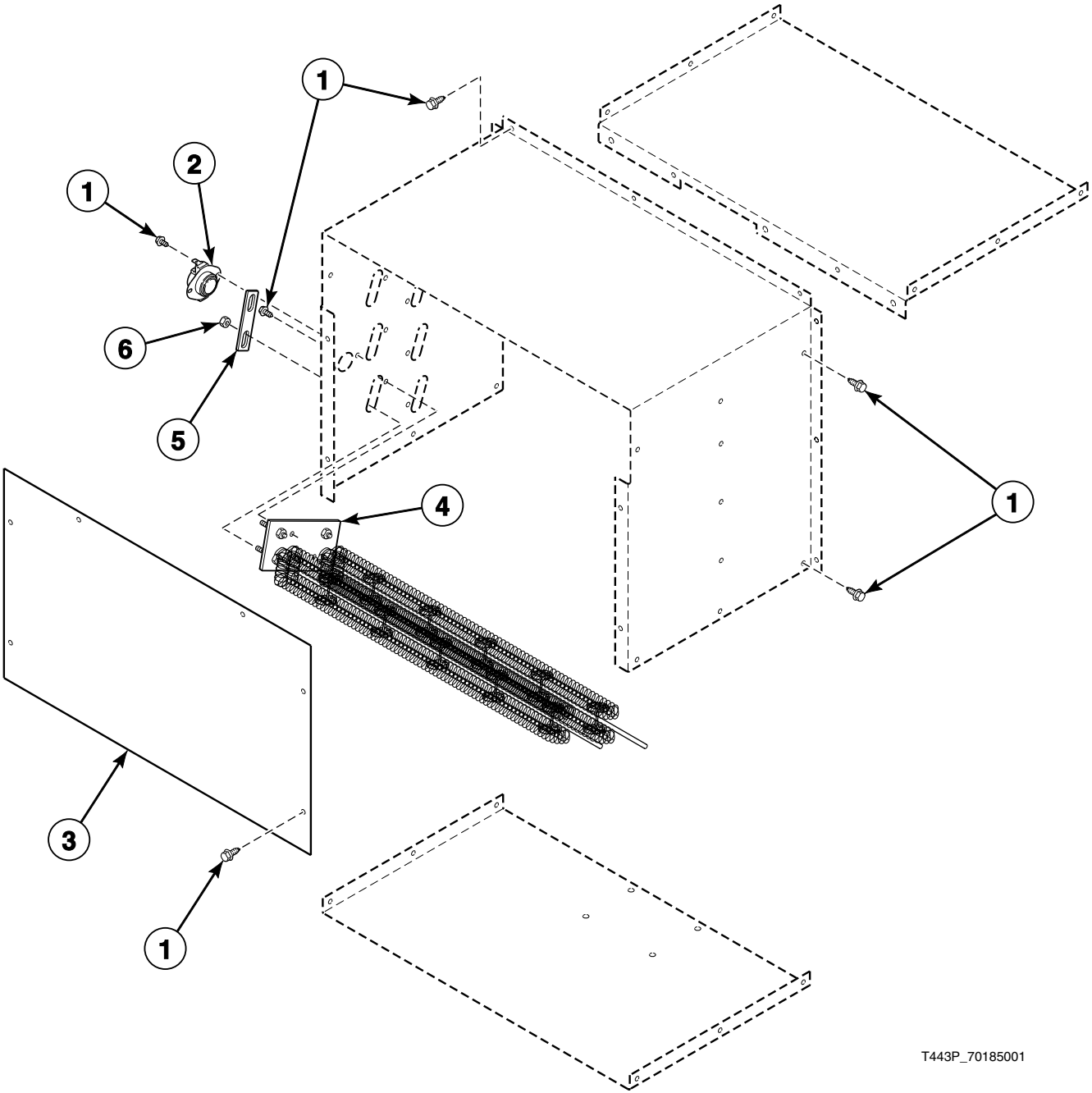
TMB1999PA\_70185001

# Burner Orifices

REF	PART NO.	DESCRIPTION	COMMENTS
1	70684100	Burner Orifice	Blank
	70684121	Burner Orifice	Liquid Petroleum Gas (L.P.); FG models; 0-2,000 feet; 7/64 (2.8 mm)
	70684120	Burner Orifice	L.P.; FG models; 2,001-4,000 feet; Drill no. 36 (2.7 mm)
	N/A	Burner Orifice	L.P.; FG models; 4,001-6,000 feet; Drill no. 37 (2.6 mm)
	70684118	Burner Orifice	L.P.; FG models; 6,001-8,000 feet; Drill no. 38 (2.6 mm)
	70684116	Burner Orifice	L.P.; FG models; 8,001-10,000 feet; Drill no. 40 (2.5 mm)
	70684148	Burner Orifice	Natural Gas (N.G.); FG models; 0-2,000 feet; Drill no. 15 (4.6 mm)
	70684147	Burner Orifice	N.G.; FG models; 2,001-4,000 feet; Drill no. 16 (4.5 mm)
	70684146	Burner Orifice	N.G.; FG models; 4,001-6,000 feet; Drill no. 17 (4.4 mm)
	70684143	Burner Orifice	N.G.; FG models; 6,001-8,000 feet; Drill no. 19 (4.2 mm)
	70684142	Burner Orifice	N.G.; FG models; 8,001-10,000 feet; Drill no. 20 (4.1 mm)
	70684116	Burner Orifice	L.P.; RG models; 0-2,000 feet; Drill no. 40 (2.5 mm)
	70684114	Burner Orifice	L.P.; RG models; 2,001-6,000 feet; Drill no. 42 (2.4 mm)
	70684112	Burner Orifice	L.P.; RG models; 6,001-8,000 feet; Drill no. 43 (2.3 mm)
	70684110	Burner Orifice	L.P.; RG models; 8,001-10,000 feet; Drill no. 44 (2.2 mm)
	70684142	Burner Orifice	N.G.; RG models; 0-2,000 feet; Drill no. 20 (4.1 mm)
	70684140	Burner Orifice	N.G.; RG models; 2,001-4,000 feet; Drill no. 22 (4.0 mm)
	70684138	Burner Orifice	N.G.; RG models; 4,001-6,000 feet; Drill no. 24 (3.9 mm)
	70684136	Burner Orifice	N.G.; RG models; 6,001-8,000 feet; Drill no. 26 (3.7 mm)
	70684134	Burner Orifice	N.G.; RG models; 8,001-10,000 feet; Drill no. 28 (3.6 mm)

N/A = Part no longer available

# Electric Heater Components

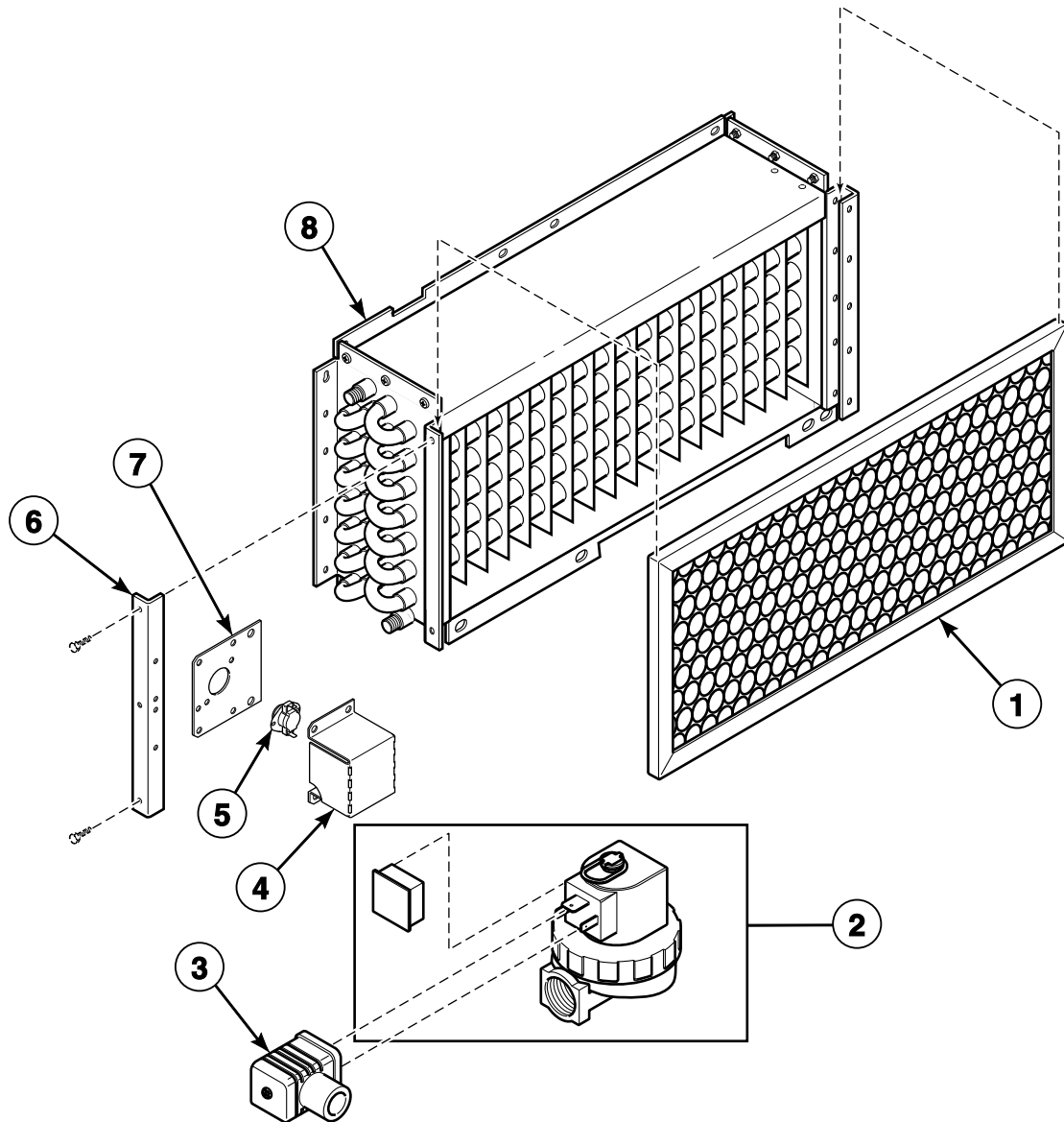


T443P\_70185001

# Electric Heater Components

REF	PART NO.	DESCRIPTION	COMMENTS
1	430497	Screw	
2	M410220	Limit Thermostat	
3	70214901	Stove Grill	
4	70034401P	Heater Element	7 kW; 208 Volt
	70034402P	Heater Element	7 kW; 220-380 Volt
	70034403P	Heater Element	7 kW; 230, 240, 415 or 480 Volt
5	M400869	Jumper Strip	
6	Q6163	Nut	

# Steam Heater Components



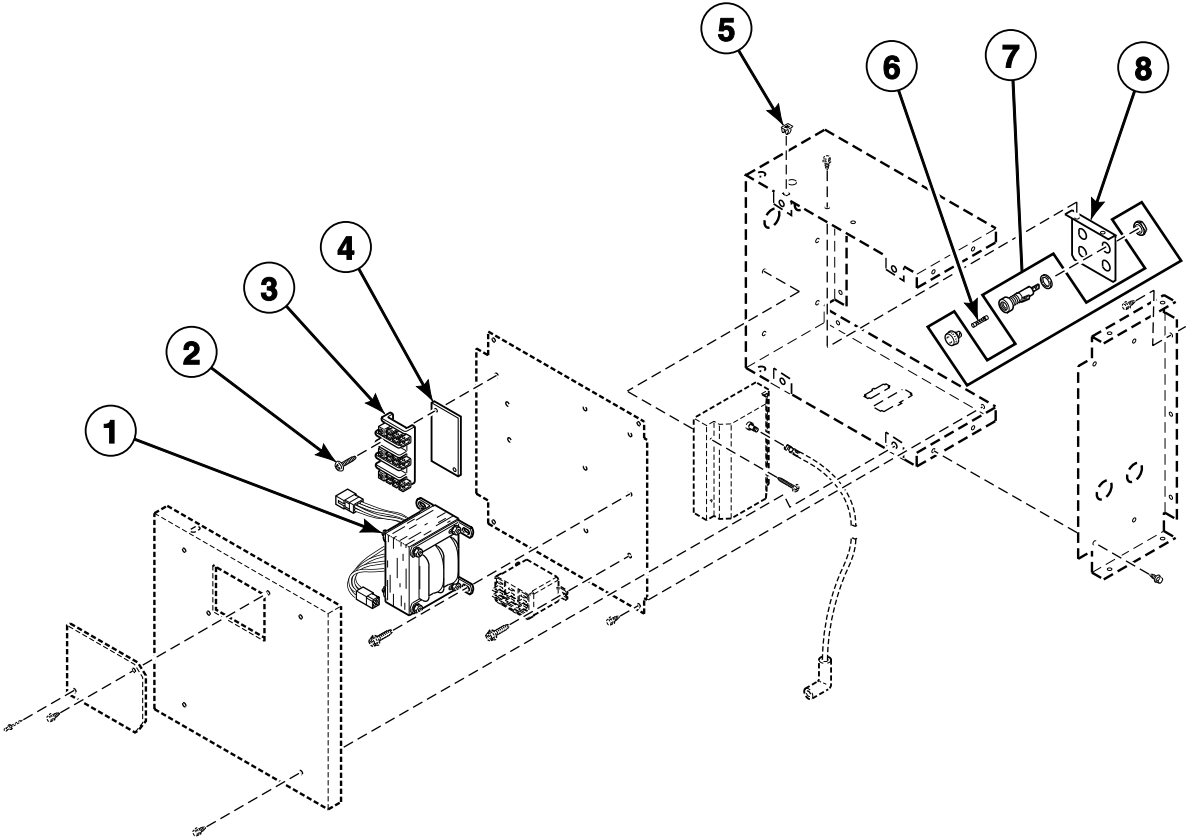
TMB2604P\_70185001



## Steam Heater Components

REF	PART NO.	DESCRIPTION	COMMENTS
	F8379502	Valve Rebuild Kit	Use with F8322902 Steam Valve
	F8382301	DIN Valve Adapter Kit	Use with F8322902 Steam Valve
1	70036001	Air Filter	
2	F8521701	Valve Kit	60 Hertz; Parker
	F8322902	Steam Valve	60 Hertz; Asco
	F8322903	Steam Valve	50 Hertz; Asco
3	70370301P	Solenoid Valve DIN Connector	
4	70139901	Thermostat Cover	
5	M409443	Limit Thermostat	
6	70369301	Steam Filter Holder	
7	70137801	Thermostat Bracket	
8	70231201P	Steam Coil	2 row; SL models
	70231301P	Steam Coil	4 row; SH models
	F8514801	Valve Coil	Use with F8322902 Steam Valve

# Rear Control Box - Gas Non-CE Models (Drawing 1 of 2)

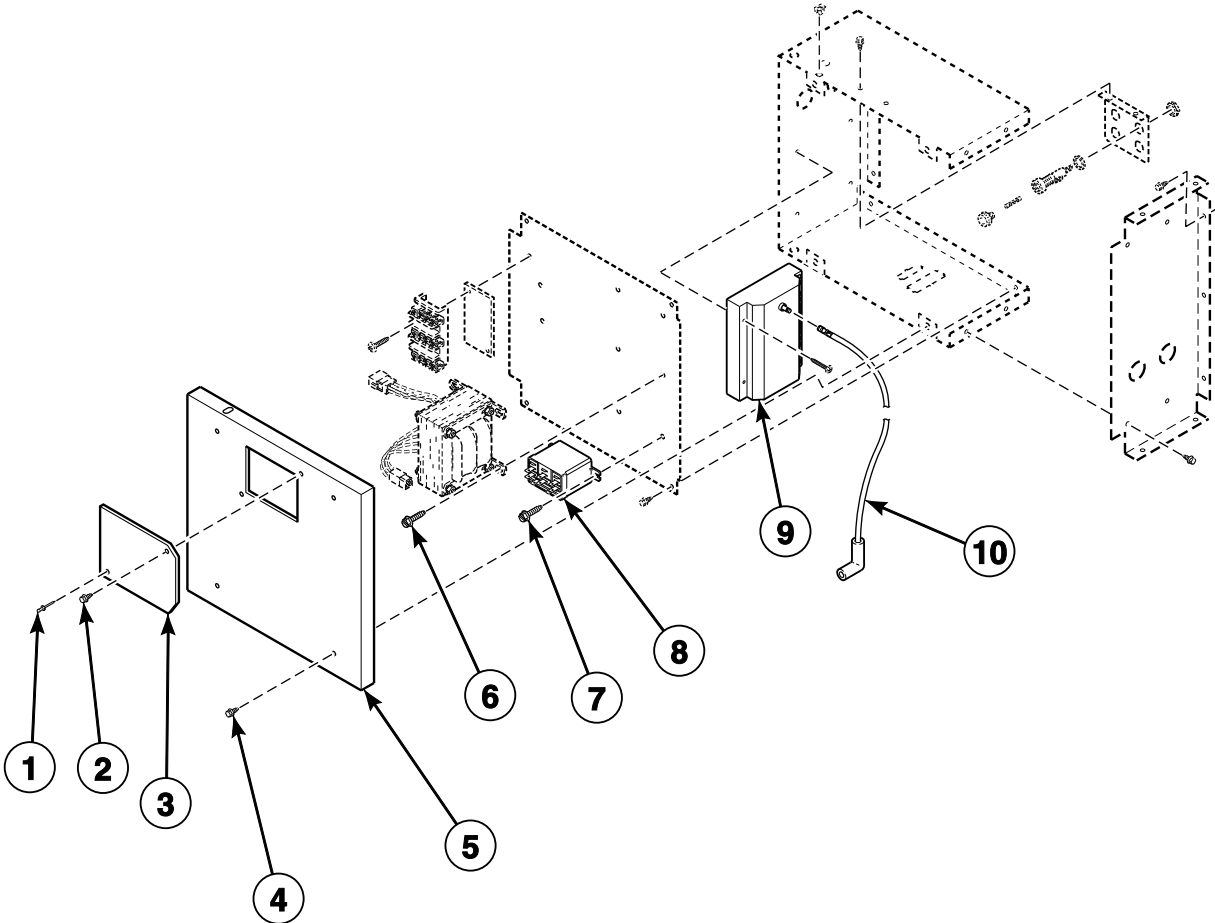


TMB2369P\_70185001

## Rear Control Box - Gas Non-CE Models (Drawing 1 of 2)

REF	PART NO.	DESCRIPTION	COMMENTS
	M413505	Jumper Harness Assembly	120 Volt/50 or 60 Hertz/1 Phase; OM and RM control suffixes
	M413504	Jumper Harness Assembly	100 Volt/50 or 60 Hertz/1 Phase
	M413510	Jumper Configuration Assembly	480 Volt/60 Hertz/3 Phase
	M413509	Jumper Harness Assembly	415 Volt/50 Hertz/3 Phase
	M413508	Jumper Harness Assembly	380 Volt/50 Hertz/3 Phase
	M413506	Jumper Harness Assembly	208 Volt/60 Hertz/1 or 3 Phase
	70067001P	High Limit Harness	
	70204501	Main Remote Interface Harness Assembly	
	70083201	Ignition Control Harness Assembly	DT, JT, LT, NT, PT and ST models
	70083301P	Ignition Control Harness	JA, PA and SA models
	70204601	Junction Box Harness Assembly	
	70084001	Jumper Bypass Assembly	MT and OM control suffixes
	M413431	Pushbutton Switch	JA, PA and SA models
	70084801P	Interlock Harness Assembly	
<b>1</b>	M414312P	Transformer	120 Volt/60 Hertz/1 Phase; NC, NR, NX, NY, ZC, ZR, ZX and ZY control suffixes
	M414230P	Transformer	120 Volt/60 Hertz/1 Phase; All other control suffixes
	M414228P	Transformer	200-240 Volt/60 Hertz/3 Phase; 200-240 Volt/50 Hertz/1 or 3 Phase
	M414229P	Transformer	380-480 Volt/50 or 60 Hertz/3 Phase
<b>2</b>	M405824	Screw	
<b>3</b>	430642	Terminal Block	
<b>4</b>	M413862	Insulator	
<b>5</b>	70030501	Expansion Clip	
<b>6</b>	M414240	Fuse	2 Amp; 100 Volt
	M413118	Fuse	2 Amp; 120 to 240 Volt
	44310001	Fuse	0.5 Amp; 380 Volt and higher
	M414232	Fuse	3.5 Amp; All other voltages
<b>7</b>	91024P	Fuse Receptacle	
	M413544P	Fuse Holder	380 Volt and higher
<b>8</b>	70086301	Fuse Bracket	Low voltage
	70086401	Fuse Bracket	380 Volt and higher

# Rear Control Box - Gas Non-CE Models (Drawing 2 of 2)



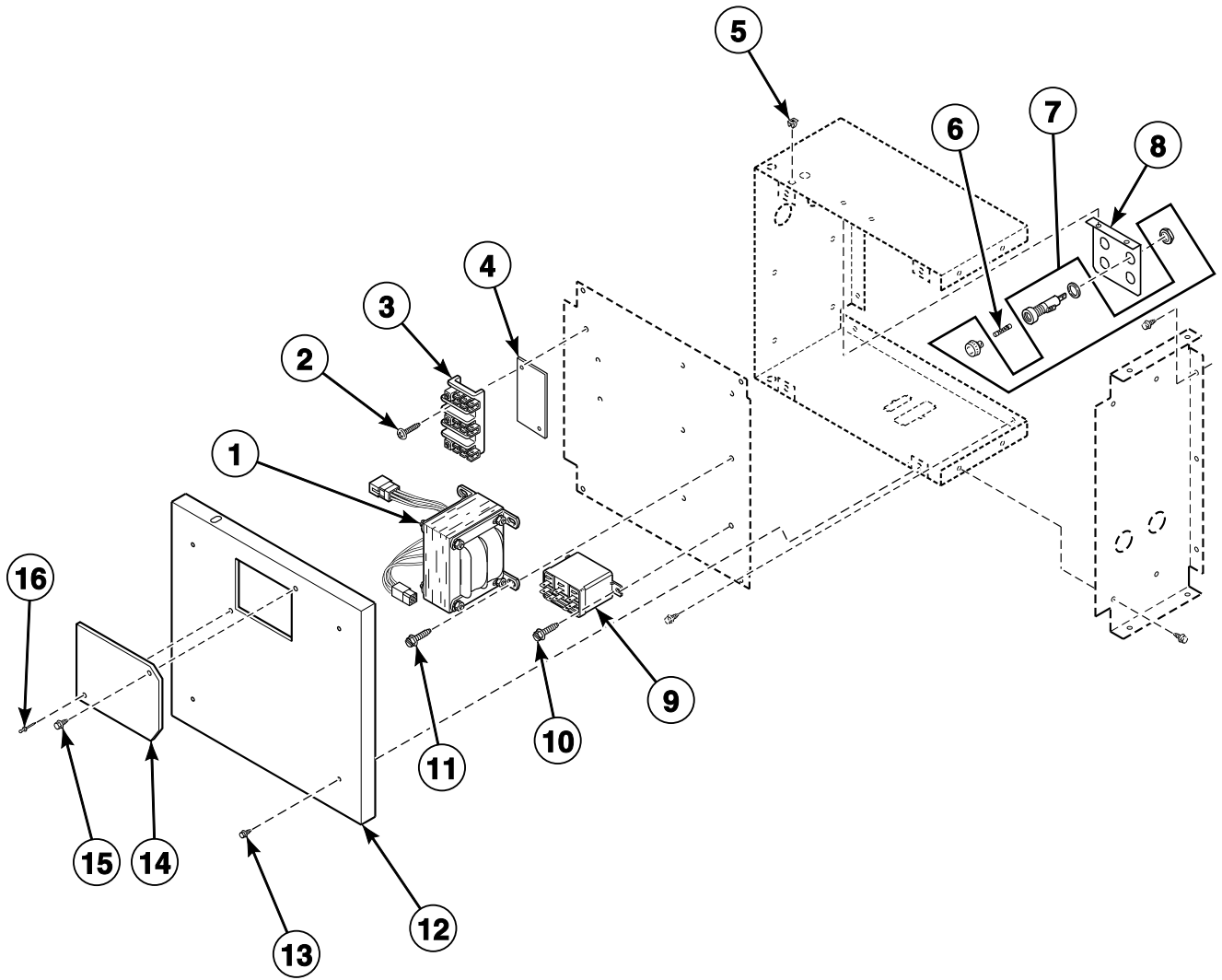
TMB2369PA\_70185001

## Rear Control Box - Gas Non-CE Models (Drawing 2 of 2)

REF	PART NO.	DESCRIPTION	COMMENTS
1	70058501	Pop Rivet	
2	51780	Screw	
3	N/A	Fuse Cover	
4	430497	Screw	
5	N/A	Junction Box Cover	
6	M411072	Screw	
7	51778	Screw	For relay
	51780	Screw	For contactor
8	70210901P	Relay	1 Phase
	M413614P	Fan Contactor	3 Phase
9	70483201P	Ignition Control	JA, PA and SA models
	70492501	Ignition Control Kit	60 Hertz; All other models
10	70006201	High Voltage Lead	

**N/A = Part no longer available**

# Rear Control Box - Steam Non-CE Models



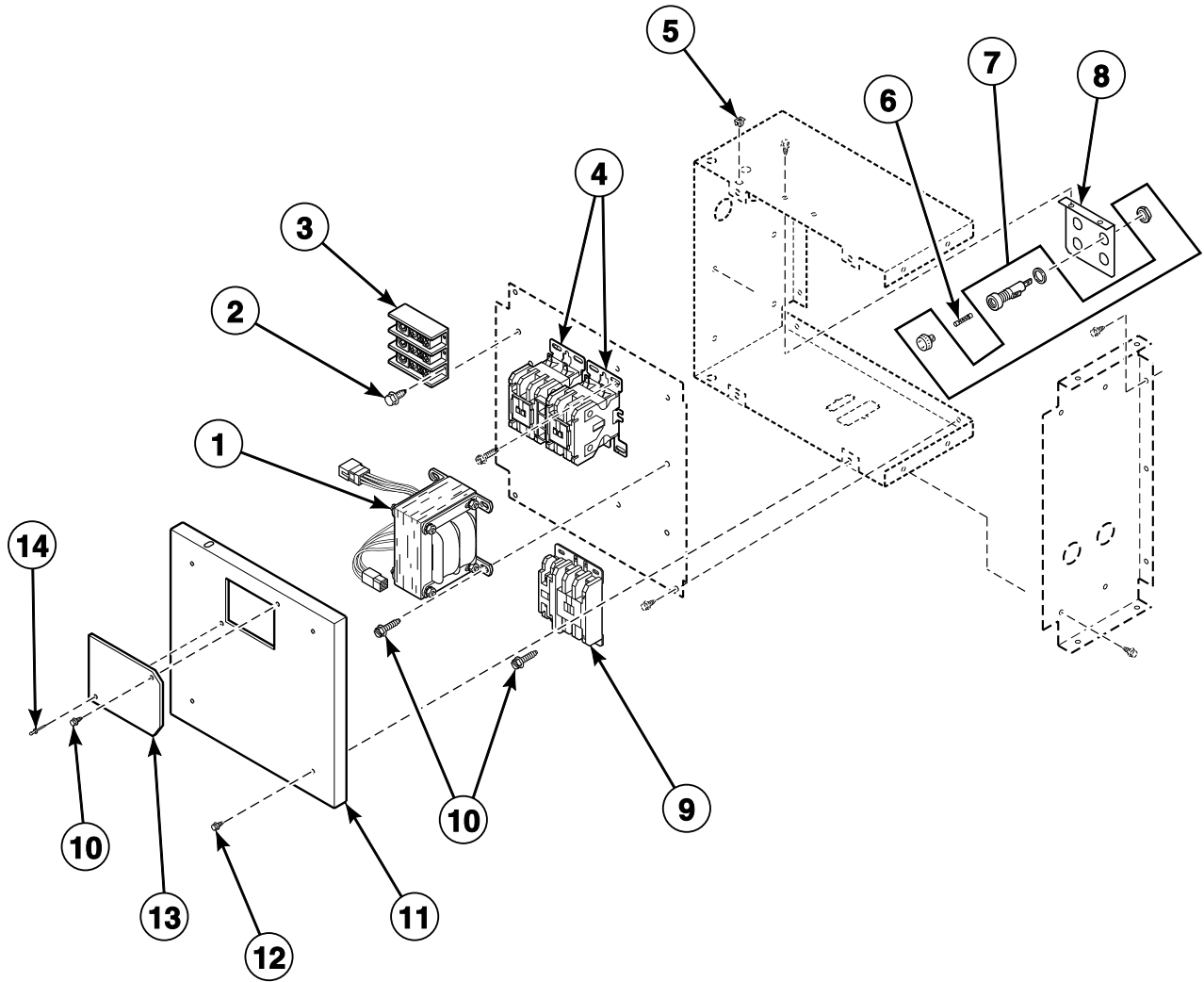
TMB2370P\_70185001

## Rear Control Box - Steam Non-CE Models

REF	PART NO.	DESCRIPTION	COMMENTS
	M413505	Jumper Harness Assembly	120 Volt/50 or 60 Hertz/1 Phase; OM and RM control suffixes
	M413504	Jumper Harness Assembly	100 Volt/50 or 60 Hertz/1 Phase
	M413510	Jumper Configuration Assembly	480 Volt/60 Hertz/3 Phase
	M413509	Jumper Harness Assembly	415 Volt/50 Hertz/3 Phase
	M413508	Jumper Harness Assembly	380 Volt/50 Hertz/3 Phase
	70067001P	High Limit Harness	
	70204501	Main Remote Interface Harness Assembly	
	70113101	Steam Jumper Assembly	
	70204601	Junction Box Harness Assembly	
	70084001	Jumper Bypass Assembly	MT and OM control suffixes
<b>1</b>	M414312P	Transformer	120 Volt/60 Hertz/1 Phase; NC, NR, NX, NY, ZC, ZR, ZX and ZY control suffixes
	M414230P	Transformer	120 Volt/60 Hertz/1 Phase; All other control suffixes
	M414228P	Transformer	200-240 Volt/60 Hertz/3 Phase; 200-240 Volt/50 Hertz/1 or 3 Phase
	M414229P	Transformer	380-480 Volt/50 or 60 Hertz/3 Phase
<b>2</b>	M405824	Screw	
<b>3</b>	430642	Terminal Block	
<b>4</b>	M413862	Insulator	
<b>5</b>	70030501	Expansion Clip	
<b>6</b>	M414240	Fuse	2 Amp; 100 Volt
	M413118	Fuse	2 Amp; 120 to 240 Volt
	44310001	Fuse	0.5 Amp; 380 Volt and higher
	M414232	Fuse	3.5 Amp; All other voltages
<b>7</b>	91024P	Fuse Receptacle	
	M413544P	Fuse Holder	380 Volt and higher
<b>8</b>	70086301	Fuse Bracket	Low voltage
	70086401	Fuse Bracket	380 Volt and higher
<b>9</b>	70210901P	Relay	1 Phase
	M413614P	Fan Contactor	3 Phase
<b>10</b>	51778	Screw	For relay
	51780	Screw	For contactor
<b>11</b>	M411072	Screw	
<b>12</b>	N/A	Junction Box Cover	
<b>13</b>	430497	Screw	
<b>14</b>	N/A	Fuse Cover	
<b>15</b>	51780	Screw	
<b>16</b>	70058501	Pop Rivet	

**N/A = Part no longer available**

# Rear Control Box - Electric Non-CE Models



TMB2371P\_70185001

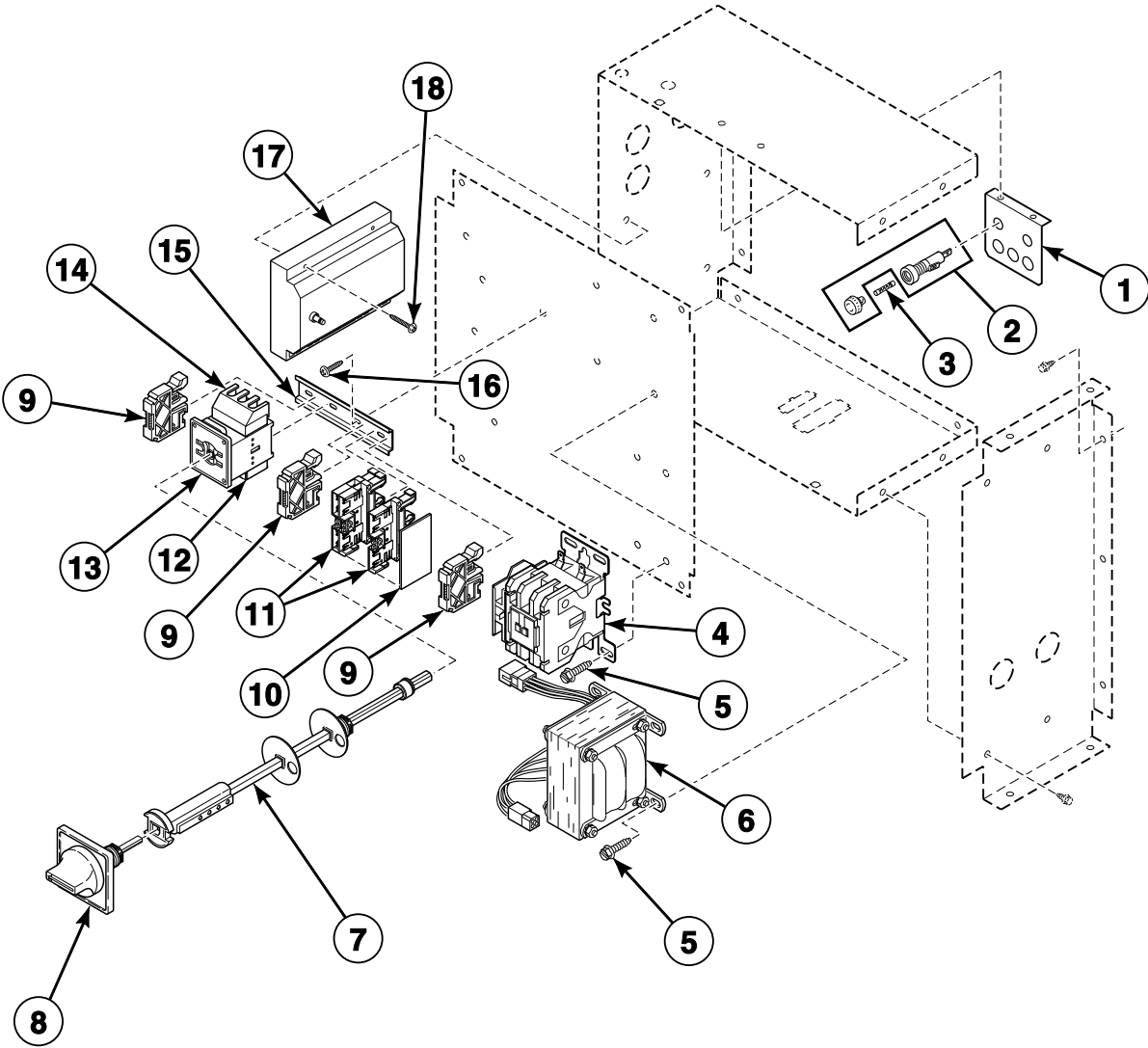


## Rear Control Box - Electric Non-CE Models

REF	PART NO.	DESCRIPTION	COMMENTS
	M413510	Jumper Configuration Assembly	480 Volt/60 Hertz/3 Phase
	M413509	Jumper Harness Assembly	415 Volt/50 Hertz/3 Phase
	M413508	Jumper Harness Assembly	380 Volt/50 Hertz/3 Phase
	M413506	Jumper Harness Assembly	208 Volt/60 Hertz/1 or 3 Phase
	70067001P	High Limit Harness	
	70204501	Main Remote Interface Harness Assembly	
	44129201P	Jumper Harness	200-240 Volt
	70139101	Jumper Assembly	11 inches; 1 Phase; 8 gauge
	M413933	Jumper Cable Assembly	7.5 inches; 200-240 Volt; 8 gauge; 2 required for 1 Phase; 3 required for 3 Phase
	70139001	Jumper Assembly	10 inches; 200-240 Volt; 8 gauge; 2 required for 1 Phase; 3 required for 3 Phase
	70236001	Junction Box Harness Assembly	
	70204601	Junction Box Harness Assembly	
	70084001	Jumper Bypass Assembly	MT and OM control suffixes
<b>1</b>	M414228P	Transformer	200-240 Volt/60 Hertz/3 Phase; 200-240 Volt/50 Hertz/1 or 3 Phase
	M414229P	Transformer	380-480 Volt/50 or 60 Hertz/3 Phase
<b>2</b>	39733	Screw	
<b>3</b>	M413865	Power Distribution Block	
<b>4</b>	M4919P3	Electric Heater Contactor Kit	2 required for 200-240 Volt models; 1 required for 380-480 Volt models
<b>5</b>	70030501	Expansion Clip	
<b>6</b>	M413118	Fuse	2 Amp; 240 Volt and lower
	M414232	Fuse	3.5 Amp; All other voltages
	44310001	Fuse	0.5 Amp; 380 Volt and higher
<b>7</b>	91024P	Fuse Receptacle	
	M413544P	Fuse Holder	380 Volt and higher
<b>8</b>	70086301	Fuse Bracket	Low voltage
	70086401	Fuse Bracket	380 Volt and higher
<b>9</b>	M413614P	Fan Contactor	
<b>10</b>	51780	Screw	For contactor
<b>11</b>	N/A	Junction Box Cover	
<b>12</b>	430497	Screw	
<b>13</b>	N/A	Fuse Cover	
<b>14</b>	70058501	Pop Rivet	

**N/A = Part no longer available**

# Rear Control Box - Gas CE Models



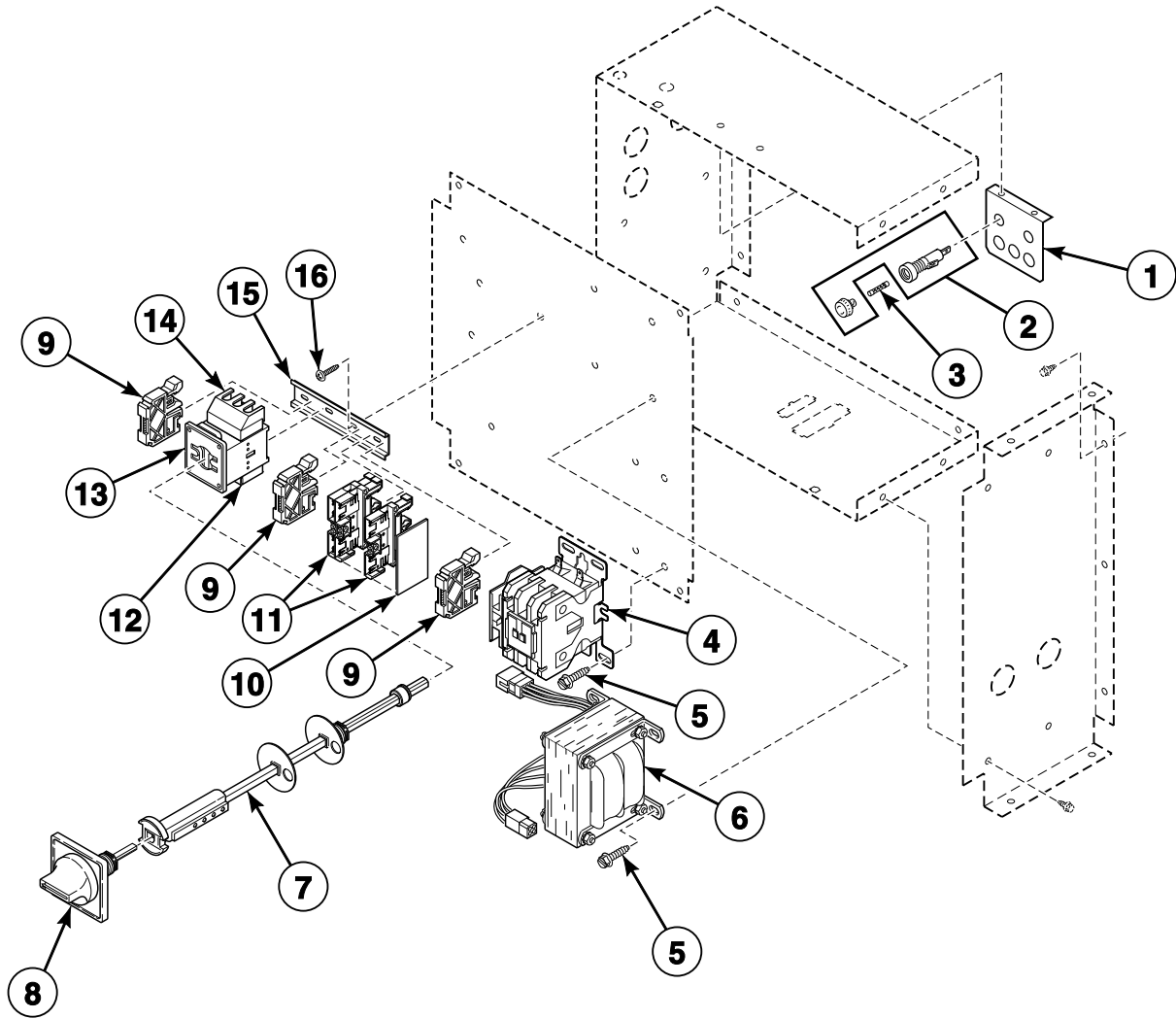
TMB2001P\_70185001

## Rear Control Box - Gas CE Models

REF	PART NO.	DESCRIPTION	COMMENTS
	M413505	Jumper Harness Assembly	120 Volt/50 or 60 Hertz/1 Phase; OM control suffix
	M413504	Jumper Harness Assembly	100 Volt/50 or 60 Hertz/1 Phase
	M413510	Jumper Configuration Assembly	480 Volt/60 Hertz/3 Phase
	M413509	Jumper Harness Assembly	415 Volt/50 Hertz/3 Phase
	M413508	Jumper Harness Assembly	380 Volt/50 Hertz/3 Phase
	M413506	Jumper Harness Assembly	208 Volt/60 Hertz/1 or 3 Phase
	M413507	Jumper Configuration Assembly	230 Volt/50 Hertz/1 Phase or 230-240 Volt/50 or 60 Hertz/3 Phase
	70067001P	High Limit Harness	
	70204501	Main Remote Interface Harness Assembly	
	70120901	Jumper Disconnect Assembly	
	70083301P	Ignition Control Harness	
	70204601	Junction Box Harness Assembly	
	70164402	Junction Box Cover	
	70006201	High Voltage Lead	
	M413431	Pushbutton Switch	
<b>1</b>	70124101	Fuse Bracket	240 Volt and lower
	70124201	Fuse Bracket	380 Volt and higher
<b>2</b>	D502591P	Fuse Holder Kit	
	M413544P	Fuse Holder	380 Volt and higher
<b>3</b>	44310001	Fuse	0.5 Amp; 2 required; 380 Volt and higher
	M413867	Fuse	2 Amp; 2 required; 240 Volt and lower
	M413889	Fuse	4 Amp; 1 required; All other voltages
<b>4</b>	M413614P	Fan Contactor	
<b>5</b>	33562	Screw	
<b>6</b>	M414228P	Transformer	230 Volt
	M414229P	Transformer	380-480 Volt/50 or 60 Hertz/3 Phase
<b>7</b>	M412370	Extension Handle	
<b>8</b>	M412208	Handle	
<b>9</b>	70121001	End Stop	3 required
<b>10</b>	70121101	End Cover	1 required
<b>11</b>	70120001	Terminal Block	3 required per machine
<b>12</b>	M412187P	Mounting Switch Base	
<b>13</b>	M412368	Door Interlock	20 Amp
<b>14</b>	M412366	Finger Guard	
<b>15</b>	N/A	Din Rail	101 mm
<b>16</b>	430497	Screw	
<b>17</b>	70483201P	Ignition Control	
<b>18</b>	M405824	Screw	

**N/A = Part no longer available**

# Rear Control Box - Steam CE Models



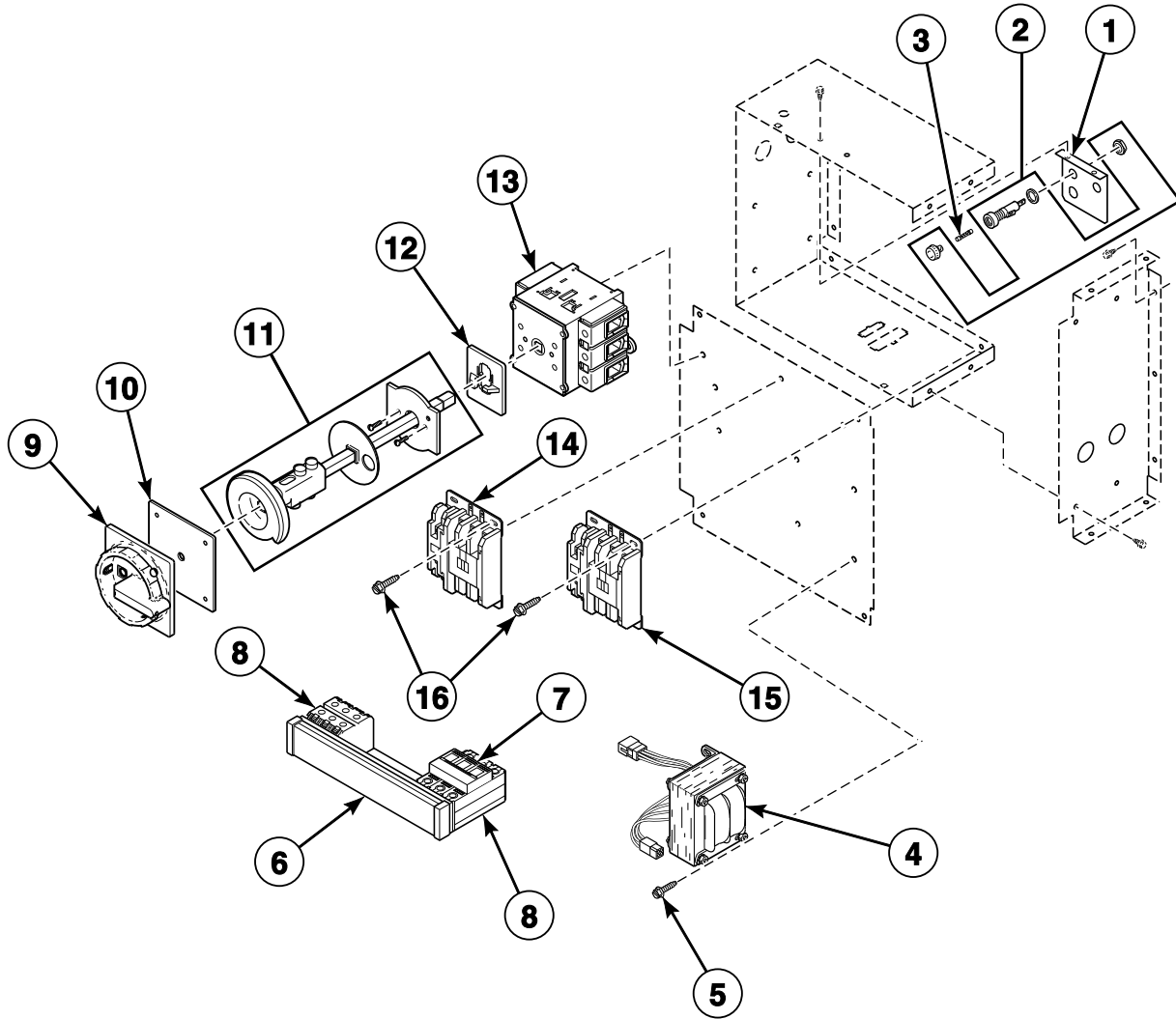
TMB2002P\_70185001

## Rear Control Box - Steam CE Models

REF	PART NO.	DESCRIPTION	COMMENTS
	M413505	Jumper Harness Assembly	120 Volt/50 or 60 Hertz/1 Phase; OM control suffix
	M413504	Jumper Harness Assembly	100 Volt/50 or 60 Hertz/1 Phase
	M413510	Jumper Configuration Assembly	480 Volt/60 Hertz/3 Phase
	M413509	Jumper Harness Assembly	415 Volt/50 Hertz/3 Phase
	M413508	Jumper Harness Assembly	380 Volt/50 Hertz/3 Phase
	M413507	Jumper Configuration Assembly	230 Volt/50 Hertz/1 Phase or 230-240 Volt/50 or 60 Hertz/3 Phase
	70067001P	High Limit Harness	
	70204501	Main Remote Interface Harness Assembly	
	70113101	Steam Jumper Assembly	
	70120901	Jumper Disconnect Assembly	
	70204601	Junction Box Harness Assembly	
	70164402	Junction Box Cover	
<b>1</b>	70124101	Fuse Bracket	240 Volt and lower
	70124201	Fuse Bracket	380 Volt and higher
<b>2</b>	D502591P	Fuse Holder Kit	
	M413544P	Fuse Holder	380 Volt and higher
<b>3</b>	44310001	Fuse	0.5 Amp; 2 required; 380 Volt and higher
	M413867	Fuse	2 Amp; 2 required; 240 Volt and lower
	M413889	Fuse	4 Amp; 1 required; All other voltages
<b>4</b>	M413614P	Fan Contactor	
<b>5</b>	33562	Screw	
<b>6</b>	M414228P	Transformer	230 Volt
	M414229P	Transformer	380-480 Volt/50 or 60 Hertz/3 Phase
<b>7</b>	M412370	Extension Handle	
<b>8</b>	M412208	Handle	
<b>9</b>	70121001	End Stop	3 required
<b>10</b>	70121101	End Cover	1 required
<b>11</b>	70120001	Terminal Block	3 required per machine
<b>12</b>	M412187P	Mounting Switch Base	
<b>13</b>	M412368	Door Interlock	20 Amp
<b>14</b>	M412366	Finger Guard	
<b>15</b>	N/A	Din Rail	101 mm
<b>16</b>	430497	Screw	

**N/A = Part no longer available**

# Rear Control Box - Electric CE Models Through Serial No. 112006347



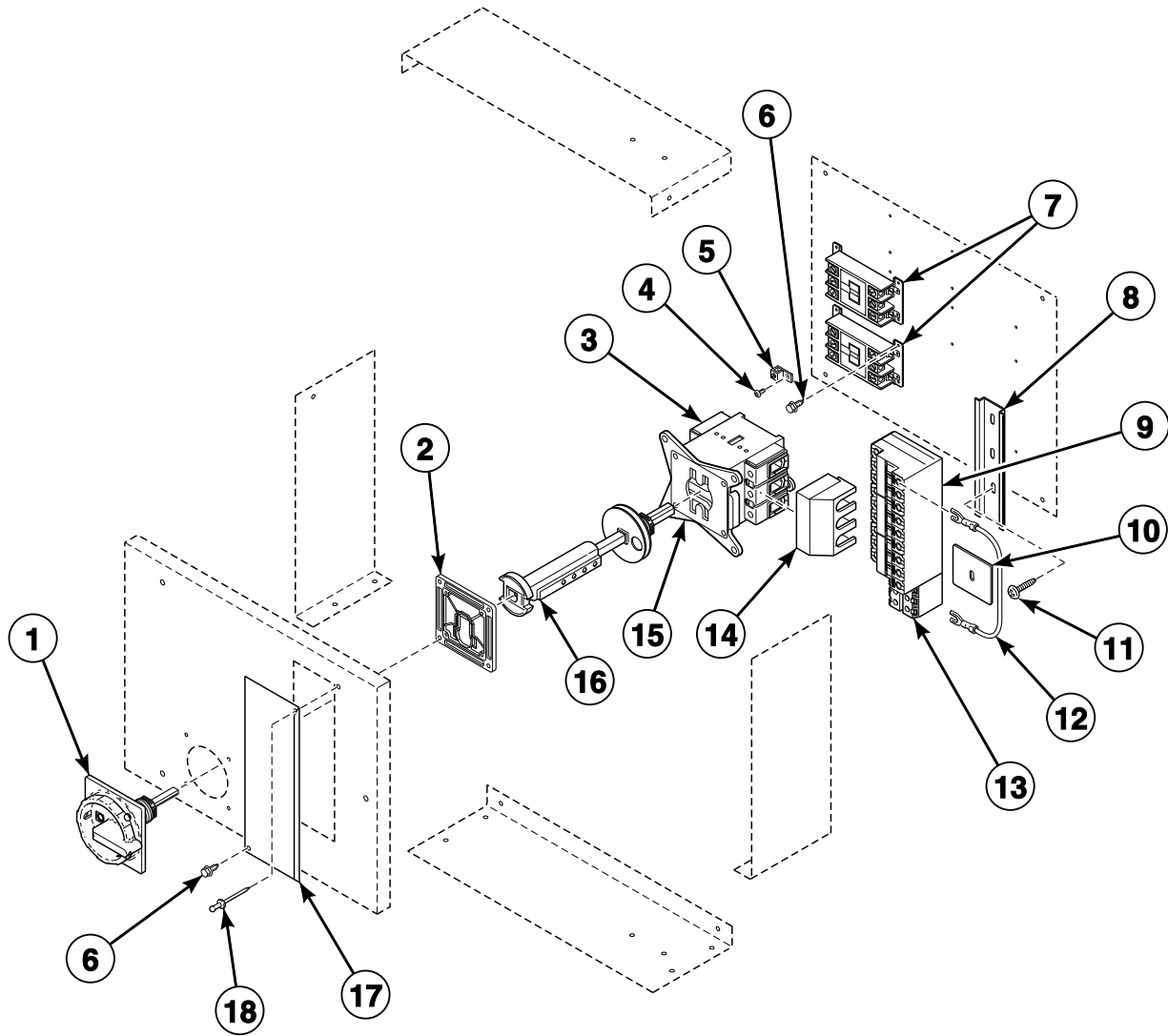
TMB2003P\_70185001

## Rear Control Box - Electric CE Models Through Serial No. 112006347

REF	PART NO.	DESCRIPTION	COMMENTS
	M413510	Jumper Configuration Assembly	480 Volt/60 Hertz/3 Phase
	M413509	Jumper Harness Assembly	415 Volt/50 Hertz/3 Phase
	M413508	Jumper Harness Assembly	380 Volt/50 Hertz/3 Phase
	M413506	Jumper Harness Assembly	208 Volt/60 Hertz/1 or 3 Phase
	M413507	Jumper Configuration Assembly	230-240 Volt/50 or 60 Hertz/3 Phase
	70067001P	High Limit Harness	
	70204501	Main Remote Interface Harness Assembly	
	44129201P	Jumper Harness	200-240 Volt
	70138801	Jumper Assembly	3 Phase; 6 gauge
	70236001	Junction Box Harness Assembly	
	70204601	Junction Box Harness Assembly	
	70164402	Junction Box Cover	
	M412692	Din Rail	For terminal blocks; 89 mm
<b>1</b>	70124201	Fuse Bracket	
<b>2</b>	D502591P	Fuse Holder Kit	250 Volt
	M413544P	Fuse Holder	600 Volt
<b>3</b>	44310001	Fuse	0.5 Amp; 600 Volt
	M413889	Fuse	4 Amp; 250 Volt
<b>4</b>	M414229P	Transformer	
<b>5</b>	430497	Screw	
<b>6</b>	N/A	Buss Bar Assembly	9 position
<b>7</b>	M412407P	Circuit Breaker	8 Amp
<b>8</b>	M412045P	Terminal Block	3 Pole; 2 required on 380-415 Volt models
<b>9</b>	70268001	Handle	
<b>10</b>	N/A	Disconnect Switch Gasket	
<b>11</b>	M412371P	Extension Handle	
<b>12</b>	M412368	Door Interlock	
<b>13</b>	M412186	Mounting Switch Base	
<b>14</b>	M4919P3	Electric Heater Contactor Kit	
<b>15</b>	M413614P	Fan Contactor	
<b>16</b>	33562	Screw	

**N/A = Part no longer available**

# Rear Control Box - Electric CE Models Starting Serial No. 112006348



TMB1858P\_70185001



## Rear Control Box - Electric CE Models Starting Serial No. 112006348

REF	PART NO.	DESCRIPTION	COMMENTS
	M413510	Jumper Configuration Assembly	480 Volt/60 Hertz/3 Phase
	M413509	Jumper Harness Assembly	415 Volt/50 Hertz/3 Phase
	M413508	Jumper Harness Assembly	380 Volt/50 Hertz/3 Phase
	M413506	Jumper Harness Assembly	208 Volt/60 Hertz/1 or 3 Phase
	M413507	Jumper Configuration Assembly	230-240 Volt/50 or 60 Hertz/3 Phase
	70067001P	High Limit Harness	
	70204501	Main Remote Interface Harness Assembly	
	44129201P	Jumper Harness	200-240 Volt
	70138801	Jumper Assembly	3 Phase; 6 gauge
	70236001	Junction Box Harness Assembly	
	70204601	Junction Box Harness Assembly	
	70164402	Junction Box Cover	
<b>1</b>	70268001	Handle	
<b>2</b>	N/A	Disconnect Switch Gasket	
<b>3</b>	M412186	Mounting Switch Base	100 Amp
<b>4</b>	M402917	Screw	Ground
<b>5</b>	M411283	Ground Lug Connector	
<b>6</b>	39733	Screw	
<b>7</b>	M4919P3	Electric Heater Contactor Kit	2 required for 200-240 Volt; 1 required for 380-415 Volt
<b>8</b>	N/A	Din Rail	380-415 Volt/50 Hertz/3 Phase; 127 mm
	M412693	Din Rail	380-415 Volt/50 Hertz/3 Phase; 165 mm
<b>9</b>	M412401	Circuit Breaker	230 Volt/50 Hertz/1 Phase; 8 Amp
	M412406	Circuit Breaker	230 Volt/50 Hertz/1 and 3 Phase; 40 Amp
	M412407P	Circuit Breaker	380-415 Volt/50 Hertz/3 Phase; 8 Amp
<b>10</b>	44014901P	Power Distribution Block Cover	
<b>11</b>	430497	Screw	
<b>12</b>	70260201	Jumper Wire	10 inches
	M414121	Jumper Cable Assembly	6.75 inches
	M413933	Jumper Cable Assembly	7.5 inches
<b>13</b>	M413865	Power Distribution Block	230 Volt/50 Hertz/1 Phase and 380-415 Volt/50 Hertz/3 Phase
<b>14</b>	M412367	Finger Guard	
<b>15</b>	M412369	Door Interlock	
<b>16</b>	M412370	Extension Handle	
<b>17</b>	70133901	Electrical Box Access Cover	
<b>18</b>	70058501	Pop Rivet	

N/A = Part no longer available



# Parts Index

## A

Air Filter	
70036001 .....	63
Airflow Switch	
70267301 .....	49
Airflow Switch Bracket	
70266301 .....	49
Airflow Switch Cover	
70281801 .....	49
Airflow Switch Kit	
70270901P .....	49
Airflow Switch Plate	
70271601 .....	49
Airflow Switch Vane	
70266201 .....	49
Audit Switch Bracket	
70183901 .....	19
70292601 .....	5

## B

Baffle Gasket	
70015701 .....	31, 33
70015702 .....	31, 33
70015705 .....	31, 33
Belt	
70276201P .....	41
Belt Tension Tool Kit	
M4853P3 .....	41
Blower Assembly	
70359801P .....	45
Blower Housing	
70218001 .....	45
Blower Housing Cover Assembly	
70299201 .....	45
Blower Housing Scroll	
70218101 .....	45
Blower Inlet Cone	
70014101 .....	45
Blower Motor	
70337501P .....	47
70342601P .....	47
Blower Motor Kit	
70337601P .....	47
70337701P .....	47
Bolt	
70062401 .....	41
70392801 .....	39
Burner Grill	
70188801 .....	51
Burner Orifice	
70684100 .....	59
70684110 .....	59
70684112 .....	59
70684114 .....	59
70684116 .....	59
70684118 .....	59
70684120 .....	59

70684121 .....	59
70684134 .....	59
70684136 .....	59
70684138 .....	59
70684140 .....	59
70684142 .....	59
70684143 .....	59
70684146 .....	59
70684147 .....	59
70684148 .....	59

## C

Cabinet Strap	
70058301 .....	33
Card Reader and Bracket Assembly	
D510068P .....	17
Card Reader Harness Assembly	
70211801 .....	9, 17
Card Reader Kit	
M4877P3 .....	9
Card Reader Network Harness Assembly	
70206601 .....	9, 17
Center Cylinder Seal	
70066003 .....	31, 33
Chassis Mounting Bracket	
70119001 .....	9
Circuit Board Support	
34896 .....	11, 15
Circuit Breaker	
M412401 .....	79
M412406 .....	79
M412407P .....	77, 79
Clip	
70226701 .....	33
Coil Spring	
M402455 .....	13
Coin Box	
F160673P .....	33
Coin Carrier Spring	
M405138A .....	13
Coin Chute Assembly	
70296401 .....	33
Coin Drop	
38963P .....	7
70256402P .....	7
70441601P .....	7
Coin Drop Assembly	
210195 .....	7
210196 .....	7
38462P .....	7
38463 .....	7
38464P .....	7
38467 .....	7
38472 .....	7
38475 .....	7
38519 .....	7
38521 .....	7
39157 .....	7
70441602 .....	7

N/A items do not appear in index.

Coin Drop Kit		70120501 .....	25
CK077 .....	7	Control Wire Harness Assembly	
CK090 .....	5	70236501P .....	5, 9
Coin Identification Paper		Cylinder Assembly	
38725 .....	7	70372501P .....	39
Coin Meter		70372502P .....	39
M412546 .....	13	Cylinder Bearing Stud Plate Assembly	
70112501P .....	13	430352 .....	39
70112701P .....	13	Cylinder Guide Tool	
70137301P .....	13	263P4 .....	39
70137401P .....	13	Cylinder Idler Arm	
70151301 .....	13	70259901 .....	41
70262401 .....	13	Cylinder Idler Bracket	
Coin Meter Control Kit		70261601 .....	41
M4723P3 .....	13	Cylinder Kit	
Coin Meter Drive		70222201P .....	39
M400754 .....	13	70222202P .....	39
Coin Retainer Spring			
M406297 .....	13		
Coin Vault Assembly			
70180101 .....	33		
Coin Vault Switch Harness Assembly			
70235201 .....	31, 33		
Coin Vault Trim			
70117501 .....	27		
70117502 .....	27		
Communication Board			
210097 .....	21		
Communication Board Bracket			
70205401 .....	21		
Communication Connector			
210099 .....	21		
Communication Harness Assembly			
70211101 .....	21		
Control Door and Studs Assembly			
70497401 .....	17		
70498401 .....	17		
Control Door Assembly			
70175901 .....	5		
70175903 .....	9		
70175904 .....	9		
70175906 .....	15		
70175907 .....	11		
70175908 .....	11		
70175909 .....	19		
70175910 .....	19		
70175911 .....	17		
Control Door Latch			
431318 .....	5, 9, 11, 15, 17, 19		
Control Housing			
70119901 .....	25		
Control Housing Cover			
70203201 .....	23		
Control Kit			
D505905P .....	17, 19		
M414049P .....	5, 9		
Control Panel Harness Assembly			
70206301P .....	17, 19		
70235801 .....	17, 19		
70236301 .....	15		
70236401P .....	11		
Control Trim			
70116901 .....	25		
70116902 .....	25		
70117001 .....	25		

## D

Din Rail			
M412692 .....	77		
M412693 .....	79		
DIN Valve Adapter Kit			
F8382301 .....	63		
Door Assembly			
44058001P .....	37		
70212200 .....	37		
70212300 .....	37		
Door Glass			
M400784P .....	37		
70133601P .....	37		
Door Glass Seal Kit			
70211901P .....	37		
Door Handle			
M400133 .....	37		
44007902P .....	37		
Door Hinge			
70115901* .....	37		
70115902 .....	37		
Door Hinge Lug Assembly			
44035001 .....	37		
Door Interlock			
M412368 .....	73, 75, 77		
M412369 .....	79		
Door Latch			
M401223 .....	25, 27		
Door Ring Gasket			
70296801 .....	37		
Door Switch			
70125101 .....	25, 27		
Door Switch Actuator Kit			
70215001P .....	37		
Door Switch Bracket			
70119301 .....	25, 27		
Drive Access Cover			
70202501 .....	41		
Drive Motor			
70337801P .....	43		
70338101P .....	43		
Drive Motor Kit			
70337901P .....	43		
70338001P .....	43		

N/A items do not appear in index.

Drum Idler Spring 70045301 .....	41
Drywall Screw Magnet Kit 70343101P .....	39
Dual Overlay Kit 70217001P .....	5
70217101P .....	5
70217201P .....	5
70217301P .....	5
Duct Cover 70207501 .....	45

## E

Elbow 70079601 .....	55
Electric Heater Contactor Kit M4919P3 .....	71, 77, 79
Electrical Box Access Cover 70133901 .....	79
Electronic Control Kit M4691P3 .....	5
M4692P3 .....	5
M4721P3 .....	5
M4722P3 .....	5
Emergency Stop Label 44012901 .....	29
Emergency Stop Switch Harness Assembly 70235301 .....	29
End Cap 70070101 .....	39
End Cover 70121101 .....	73, 75
End Stop 70121001 .....	73, 75
Exhaust Damper 70056201 .....	45
Exhaust Duct Assembly 70246201 .....	45
Exhaust Thimble 70017801 .....	45
Expansion Clip 70030501 .....	31, 33, 65, 69, 71
Extension Handle M412370 .....	73, 75, 79
M412371P .....	77

## F

Fan Contactor M413614P .....	67, 69, 71, 73, 75, 77
Finger Guard M412366 .....	73, 75
M412367 .....	79
Forward Valve Cover 70282301 .....	57
Front Panel Seal 70173401P .....	25, 27
Fuse M413118 .....	65, 69, 71
M413867 .....	73, 75
M413889 .....	73, 75, 77

M414232 .....	65, 69, 71
M414240 .....	65, 69
44310001 .....	65, 69, 71, 73, 75, 77
Fuse Bracket 70086301 .....	65, 69, 71
70086401 .....	65, 69, 71
70124101 .....	73, 75
70124201 .....	73, 75, 77
Fuse Holder M413544P .....	65, 69, 71, 73, 75, 77
Fuse Holder Kit D502591P .....	73, 75, 77
Fuse Receptacle 91024P .....	65, 69, 71

## G

Gas Burner 70229801P .....	53
Gas Line Assembly 70203601 .....	55
Gas Shut-Off Valve M412562P .....	55
Gas Valve 44154501P .....	57
44154502P .....	57
Gas Valve Coil 70260101 .....	55
Gas Valve Cover 70133401 .....	51
Gas Valve Harness 70184001 .....	53, 55
Gas Valve Kit 70482301 .....	55
Ground Lug Connector M411283 .....	79

## H

Handle M412208 .....	73, 75
70268001 .....	77, 79
Heater Element 70034401P .....	61
70034402P .....	61
70034403P .....	61
High Limit Harness 70067001P .....	65, 69, 71, 73, 75, 77, 79
High Voltage Lead 70006201 .....	67, 73
Hinge Cam Kit M4772P3 .....	37

## I

Idler Assembly Service Kit 70275501P .....	41
Idler Bracket 70443301 .....	41

N/A items do not appear in index.

Idler Wheel Assembly 70050401P .....	41
Igniter Cover 70159601 .....	51
Ignition Control 70483201P .....	67, 73
Ignition Control Harness 70083301P .....	65, 73
Ignition Control Harness Assembly 70083201 .....	65
Ignition Control Kit 70492501 .....	67
Indicator Light 70082201 .....	11, 15
Insulator M413862 .....	65, 69
Interlock Harness Assembly 70084801P .....	65

## J

Jumper Assembly 70138801 .....	77, 79
70139001 .....	71
70139101 .....	71
Jumper Bypass Assembly 70084001 .....	65, 69, 71
Jumper Cable Assembly M413933 .....	71, 79
M414121 .....	79
Jumper Calibration Assembly 70084203 .....	5
70211703P .....	17, 19
Jumper Calibration Wire 70324601 .....	17
Jumper Configuration Assembly M413507 .....	73, 75, 77, 79
M413510 .....	65, 69, 71, 73, 75, 77, 79
Jumper Disconnect Assembly 70120901 .....	73, 75
Jumper Harness 44129201P .....	71, 77, 79
Jumper Harness Assembly M413504 .....	65, 69, 73, 75
M413505 .....	65, 69, 73, 75
M413506 .....	65, 71, 73, 77, 79
M413508 .....	65, 69, 71, 73, 75, 77, 79
M413509 .....	65, 69, 71, 73, 75, 77, 79
Jumper Strip M400869 .....	61
Jumper Wire 70260201 .....	79
Junction Box Cover 70164402 .....	73, 75, 77, 79
Junction Box Harness Assembly 70204601 .....	65, 69, 71, 73, 75, 77, 79
70236001 .....	71, 77, 79

## K

Key 70144101 .....	45
-----------------------	----

N/A items do not appear in index.

70155601 .....	25, 35
70155602 .....	35
Kickplate 70117605 .....	27
70117606 .....	27
Knob M410927 .....	15

## L

Latch Mounting Bracket 70119801 .....	11, 15
70184501 .....	17, 19
Leveling Leg 34319 .....	33
Limit Thermostat M409219 .....	53
M409443 .....	63
M410220 .....	61
M411307 .....	45
Lint Drawer Front Kit 70322901P .....	35
70322902P .....	35
Lint Drawer Gasket 70117901P .....	25, 27
Lint Drawer Handle 70320801 .....	35
70320802 .....	35
Lint Drawer Handle Plate 70323201 .....	35
Lint Frame Gasket 70333101 .....	35
Lint Screen Assembly 70290601 .....	35
Lint Screen Bracket 70026901 .....	35
Lock, Key and Nut Kit 44089301P .....	25, 35
44089302P .....	35
Lower Front Panel Assembly 70176101WP .....	27
70176102P .....	27
70176103W .....	27
70176104P .....	27
70176106 .....	27
70176107WP .....	27
70176108 .....	27
L.P. Conversion Kit M4707P3 .....	55
L.P. Valve 70457302P .....	55
L.P. Valve Conversion Kit M4734P3 .....	55

## M

Main Harness Assembly 70204801 .....	17, 19
Main Remote Interface Harness Assembly 70204501 .....	65, 69, 71, 73, 75, 77, 79
Manual Reset Thermostat M411945 .....	45

70186301 .....	53
Manual Timer Control Kit	
M4694P3 .....	15
M4724P3 .....	15
Motor Capacitor	
70211401 .....	41
70211501 .....	45
70211502 .....	41
Motor Channel	
70261701 .....	41
Motor Mount Bracket	
70127301 .....	41
Motor Pulley	
70284201 .....	41
70284203 .....	41
Mounting Bracket	
70118901 .....	11
70131301 .....	15
70179001 .....	11
70179101 .....	15
Mounting Switch Base	
M412186 .....	77, 79
M412187P .....	73, 75
Multiplier Assembly	
38571 .....	5
Multiplier Harness Assembly	
431611 .....	5

## N

Network Board Assembly	
210016P .....	23
Network Wire Harness Assembly	
800217 .....	23
Nipple	
F420101 .....	55
Nut	
M400022 .....	39, 45
M400034 .....	39, 45
M400979 .....	49
M401548 .....	57
M412986 .....	39, 41
M414215 .....	37
Q6163 .....	61
21899 .....	33, 45
23951 .....	37
27222 .....	41
29786 .....	35, 41
430576 .....	31, 33
44087201 .....	39
44088801 .....	25, 35
56156 .....	41
70030401 .....	31
70054 .....	5, 9, 11, 15, 19
70072901 .....	25, 27
N.G. Valve	
70457301P .....	55
N.G. Valve Conversion Kit	
M4733P3 .....	53, 55

## O

Opto Coupler	
200674P .....	7
Orifice Adapter	
70297801 .....	57
70552801P .....	57
Orifice Holder Bracket	
70248901 .....	57
Orifice Keeper Bracket	
70249001 .....	57
O-Ring	
431482 .....	55
Overlay	
70113601 .....	5
70113901 .....	5
70114401 .....	15
70114601 .....	25
70114701 .....	35
70115101 .....	35
70115201 .....	35
70115301 .....	35
70115501 .....	11
70115701 .....	9
70128101 .....	15
70128201 .....	11
70129301 .....	5
70129401 .....	5
70129501 .....	5
70129601 .....	5
70129801 .....	5
70129901 .....	15
70135501 .....	5
70135601 .....	15
70135701 .....	5
70136101 .....	5
70136201 .....	9
70136401 .....	35
70136501 .....	35
70136601 .....	35
70136801 .....	11
70184101 .....	19
70184102 .....	19
70184201 .....	17
70235101 .....	17
70239401 .....	19
70239402 .....	19
70412901 .....	25

## P

Panel Clip	
M406494 .....	25
Partition Baffle	
70022001 .....	31
70022101 .....	31
70057101 .....	31
70198801 .....	31, 33
70215302 .....	33
70215303 .....	33
70232601 .....	31, 33
70232602 .....	31, 33
70232701 .....	31, 33
70232801 .....	31, 33

N/A items do not appear in index.

PC Board Standoff	
210098 .....	21
Pipe	
70262601 .....	57
Pipe Tee	
70267501 .....	57
Pop Rivet	
M400003 .....	11, 15, 19, 25, 27
430725 .....	25
70058501 .....	31, 33, 37, 39, 57, 67, 69, 71, 79
70058502 .....	33
70126401 .....	27
Potentiometer Mounting Bracket	
70108001 .....	11, 15
Power Distribution Block	
M413865 .....	71, 79
Power Distribution Block Cover	
44014901P .....	79
Pushbutton	
44018801 .....	29
Pushbutton Switch	
M413431 .....	65, 73
70413301 .....	5, 19, 25, 27

## R

Rear Cylinder Bearing Housing	
70013901 .....	39
Rear Cylinder Channel	
70257101 .....	39
Rear Cylinder Channel Plate	
70257201 .....	39
Rear Cylinder Seal	
70013701P .....	39
Rear Cylinder Seal Support	
70506402 .....	39
Rear Panel	
70243401P .....	31
70243402 .....	31
Rear Stabilizer Bracket	
70200301 .....	45
Rear Valve Cover	
70282401 .....	57
Relay	
M412534 .....	11, 15
70210901P .....	67, 69
Replacement Door Handle Kit	
70133501P .....	37
Retaining Ring	
70023601 .....	31, 33
Return Spring	
M405138B .....	13
Roller and Seal Kit	
70616701 .....	31, 33
Roller Shaft	
70017701 .....	31, 33
70232001 .....	31, 33
Roller Support Bracket	
70055001 .....	31, 33
70231901 .....	31, 33
Rotary Drop Shroud	
70061701 .....	11

## S

Screw	
D501524 .....	5, 9, 17, 19
M400044 .....	37
M400056 .....	41
M400661 .....	37
M401938 .....	25, 27, 49
M402797 .....	11, 15, 53
M402917 .....	11, 15, 79
M405188 .....	25
M405824 .....	65, 69, 73
M409385 .....	37
M411052 .....	15
M411072 .....	25, 27, 67, 69
05161 .....	53
23222 .....	55
33562 .....	73, 75, 77
39733 .....	71, 79
430497 .....	9, 39, 45, 49, 51, 53, 55, 57, 61, 67, 69, 71, 73, 75, 77, 79
430648 .....	41
430757 .....	37
431484 .....	55
51778 .....	67, 69
51780 .....	67, 69, 71
61199 .....	37
62588 .....	39
70033502 .....	25, 27, 37
70069901 .....	25
70126101 .....	45
70126201 .....	37
70132301 .....	25, 27
70566401 .....	41
Shadow Box Clip	
M400972 .....	25, 27
Snap Bushing	
M400770 .....	57
Solenoid Valve DIN Connector	
70370301P .....	63
Spacer	
431264 .....	25
Spark Electrode	
70032801P .....	53
Spud Adapter	
70223501 .....	55
Start Switch	
70108501 .....	11, 15
Steam Coil	
70231201P .....	63
70231301P .....	63
Steam Filter Holder	
70369301 .....	63
Steam Jumper Assembly	
70113101 .....	69, 75
Steam Valve	
F8322902 .....	63
F8322903 .....	63
Stove Back	
70183001 .....	51
Stove Grill	
70214901 .....	61
Support Bearing	
70448701 .....	39

N/A items do not appear in index.



Switch	
M400947 .....	13
431159 .....	31, 33
<hr/>	
<b>T</b>	
Tee	
70071801 .....	55
Temperature Kit	
70475001P .....	11, 15
Temperature Knob	
70080601 .....	11, 15
Terminal Block	
M412045P .....	77
430642 .....	65, 69
70120001 .....	73, 75
Thermal Shield	
70036601 .....	31, 33
Thermistor	
M414704 .....	45
Thermistor Cover	
70112801 .....	45
Thermostat Bracket	
70137801 .....	63
Thermostat Cover	
70139901 .....	63
Thermostat Module	
431347P .....	11, 15
Timer	
M412079P .....	15
70131701P .....	15
70131801P .....	15
Timer Control Assembly	
70175301P .....	11, 15
Timer Knob	
70082101 .....	15
Timer Motor	
70218201 .....	13
70218301 .....	13
Timing Cam	
M400732P .....	13
M400733P .....	13
M400734P .....	13
M400735P .....	13
M400736P .....	13
M400737P .....	13
M400738P .....	13
M400739P .....	13
M400740P .....	13
M400741P .....	13
Top Panel	
70233101 .....	25
Transformer	
M414228P .....	65, 69, 71, 73, 75
M414229P .....	65, 69, 71, 73, 75, 77
M414230P .....	65, 69
M414312P .....	65, 69
Trunion and Seal Kit	
70564803 .....	39
Tube	
70281601 .....	57

---

## U

Union	
H86000031 .....	55
Upper Front Panel Assembly	
70176002P .....	25
70176003*P .....	25
70176004P .....	25
70391301WP .....	25

---

## V

Valve Bracket and Cover Kit	
M4746P3 .....	51
M4747P3 .....	51
Valve Coil	
F8514801 .....	63
Valve Kit	
F8521701 .....	63
Valve Rebuild Kit	
F8379502 .....	63

---

## W

Washer	
F430311 .....	25, 27
M400991 .....	39
M405535 .....	11
70017401 .....	45
70265901 .....	41
70270301 .....	41
70411301 .....	39
Wire Guard	
201595P .....	7

---

N/A items do not appear in index.

